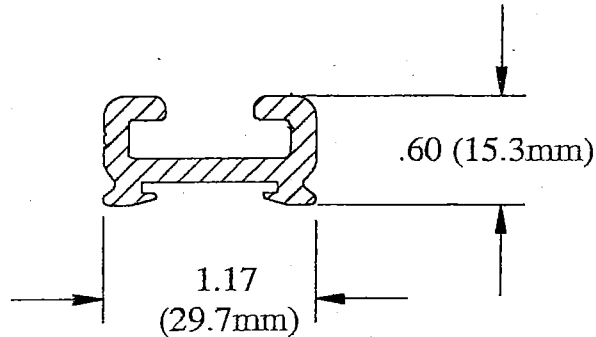
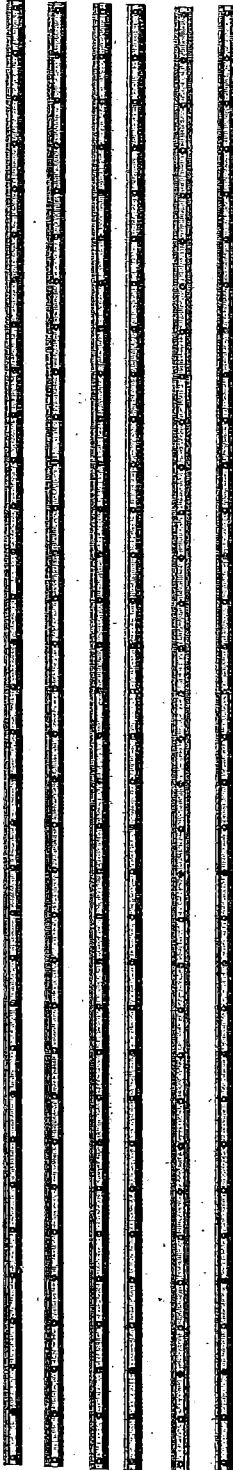


SCHAEFER MARINE NEW PRODUCT

SYSTEM PART NO : 8750

DESCRIPTION : 7/8 MAST TRACK SYSTEM



ACTUAL SIZE

(.40 LBS/FT)

ACCEPTS STANDARD 7/8 FLAT SLIDES (SCHAEFER BATSLIDE #803)

TRACK FASTENS W/ #10 F.H. SCREWS ON 3" CENTERS
(FASTENERS NOT INCLUDED)

END STOPS AND CAPTIVE JOINT CONNECTORS SUPPLIED
(CONNECTORS FIT INTO CAVITY IN BASE OF TRACK TO
ENSURE ALIGNMENT AND TO PREVENT DROPPING
OVERBOARD DURING INSTALLATION)

DESIGNED FOR 35 - 50 FT BOATS

SYSTEM LUFF LENGTH = 47.5 FT

SUPPLIED WITH:

- (6) LENGTHS OF 7 FT - 7 IN LONG TRACK
- (1) 25 IN LONG BOTTOM PIECE OF TRACK
- (1) 4 IN LONG REMOVABLE FEEDER
- (7) TRACK CONNECTORS

UPS SHIPPABLE

#8750-10 = EXTRA LENGTH OF TRACK

(SUPPLIED W/ TRACK JOINER)

SHIPPED IN CARDBOARD TUBE

SHIPPING WEIGHT _____



www.schaefermarine.com

158 Duchaine Blvd, New Bedford, Massachusetts, 02745, USA