

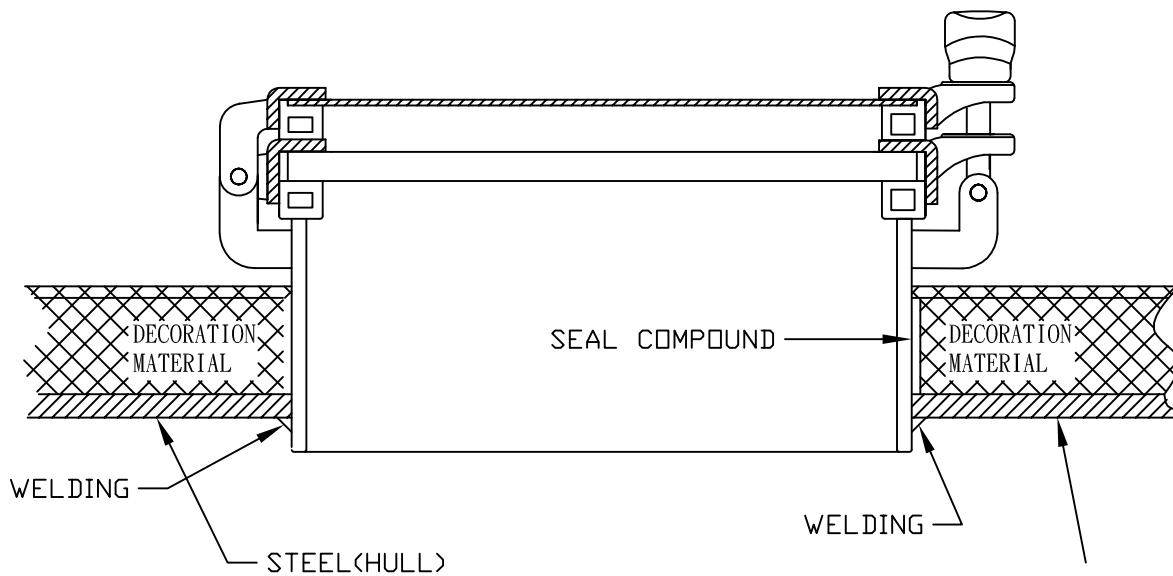
# Man Ship

Australian Distributor: DeckHardware

[www.deckhardware.com.au](http://www.deckhardware.com.au)

02 9905 9400

## OPENING PORTS FOR STEEL BOAT



### INSTALLATION:

1. DIG HOLE PER THE SPECIFICATION FOR CUT OUT SIZE OF PORTLIGHT IN HULL WALL.
2. TO PUT PORTLIGHT INTO HULL PROPERLY THEN WELDING.
3. FULL FILL SEAL COMPOUND BETWEEN HULL & DECORATION MATERIAL TO PREVENT WATER LEAKING.