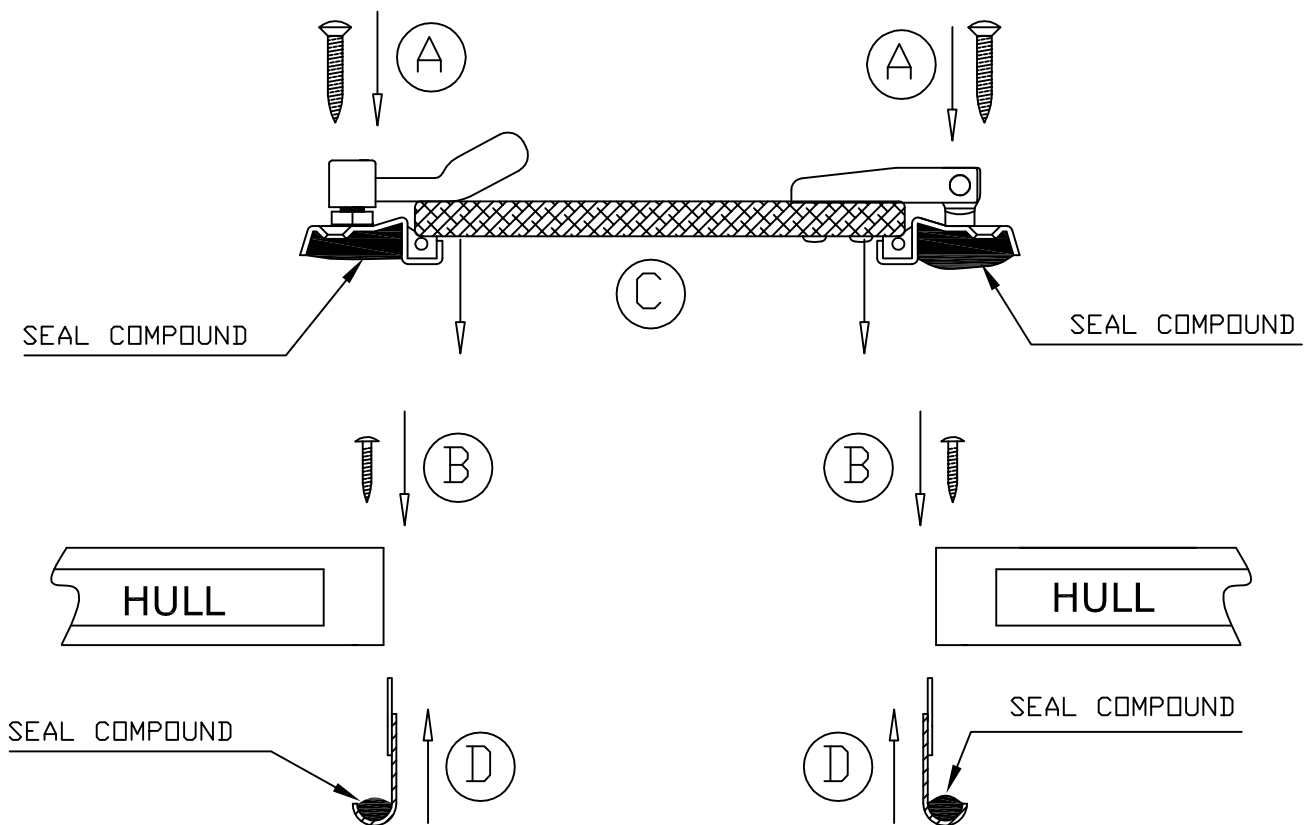


Man Ship

ECONOMY OVAL, ROUND & ELLIPTICAL PORTLIGHT (OIL HYDRAULIC MADE ECONOMY)



INSTALLATION:

1. DIG HOLE PER THE SPECIFICATION FOR CUT OUT SIZE OF PORTLIGHT IN HULL WALL.
2. FULL-FILL SEAL COMPOUND IN POSITION "D". OF TRIM RING. OUTSIDE BOAT INSTALL PORTLIGHT TOWARD INSIDE. TO USE "C STYLE CLAMP" FASTEN IT. THEN BEND S/S FIXED STRIP OUTWARD AND SCREW BOLT (B) INTO HULL.
3. FULL-FILL SEAL COMPOUND IN THE POSITION "C" OF PORTLIGHT. INSIDE BOAT INSTALL PORTLIGHT TOWARD OUTSIDE, THEN USE "C STYLE CLAMP" FASTEN IT. AFTER SCREW BOLT(A) INTO HULL.

Australian Distributor: DeckHardware

www.deckhardware.com.au

02 9905 9400