

FORESPAR[®]

PERFORMANCE PRODUCTS



Boating Made Easier, Faster & More Fun

VISIT OUR WEBSITE

www.forespar.com

We at Forespar are very proud of our website and we're working hard to make it better all the time. Our goal is to make forespar.com an excellent boating information resource for all your boating needs.

- **Product Info and Specs**
- **How to Use**
- **How to Maintain**

Have a look at the Knowledge section of our site and check the **Gold Information Tabs** below the product info on our site pages. All of the information you need is in one convenient place. We believe the more you know about your equipment and systems, the more you'll enjoy your boating experience.

Made by boaters for boaters. Designed to help make your boating easier, safer, faster and a lot more fun.

The Forespar Team

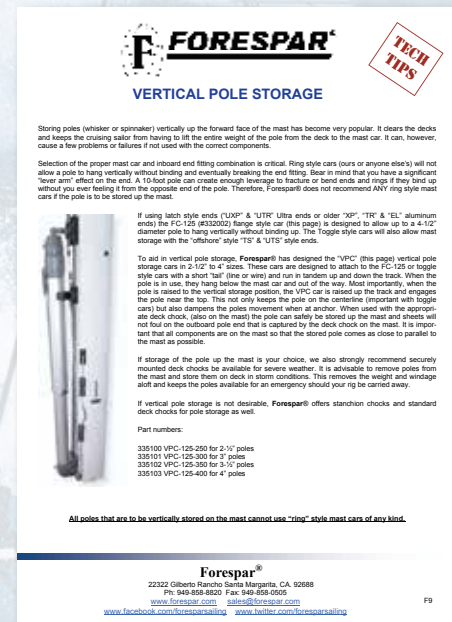
Learn More
forespar.com

For Direct Product Page Access
Look For These Icons Throughout The Catalog

Build Your Knowledge With These Online Tools:

- **Tech Tips** – Learn from experienced boaters about your specific equipment
- **How-to Videos** – View professional videos to expand your and your crew's knowledge & skills
- **Installation Instructions** – Install your equipment properly and safely
- **Usage Tips** – Get the best use and enjoyment out of your equipment
- **Maintenance Tips** – Extend the life of your equipment for trouble-free operation

Sample Tech Tip Page



FORESPAR®

MARINE PRODUCTS THAT PERFORM

Valued Customers,

Making boating easier, faster, and more fun has been Forespar's goal since we introduced our first product over 50 years ago. This goal has remained the same as we have continued to introduce innovative hardware, maintenance, and safety products that are now known throughout the boating world for their high quality, durability, and seaworthiness.

We are proud to include several new products in this catalog. These include:

- New models of our incredibly popular LeisureFurl in-boom furling system, including new, electric designs, that allow you to control your mainsail with the push of a button. LeisureFurl has experienced significant growth among boaters looking for an easier and safer way to hoist, reef and control their mainsail, especially with a short-handed crew.
- Our award-winning PureWater+ filter system, which allows you to change the filter in less than 20 seconds. This amazingly compact system does not require under-counter access, making it a no-hassle way for you to save money and to stop hauling bottled water onto your boat.
- Our new Velocity™ Series of affordable, telescoping carbon fiber whisker poles. With a simple pull of a line, these lightweight poles can easily and rapidly be deployed, adjusted to the necessary length, and retracted as needed, maximizing downwind sailing efficiency for both racers and cruisers.
- New products in our PerformanceCare+ line of boat care products, including new size options in our popular Tea Tree Power products, which outperform other mold and odor control products due to their higher concentration of tea tree oil. We have also added the incredible EcoTankPro waste system to our product line. And the strongest synthetic lubricant on the market continues to be Marelube TEF45.

You'll find up-to-date information to help you select and use the right equipment for your boat at www.forespar.com. Be sure to check out our Marelon plumbing products, which are the #1 choice of boat builders over traditional bronze fittings. Made from an engineered reinforced composite polymer, Marelon's material strength rivals bronze, but it is lighter and will never, ever corrode! These advanced valves have also been updated to offer an electronically controlled ROV option that can be controlled from the electric panel, yet manually overridden if needed.

On behalf of our Forespar family we wish to express gratitude to our customers. Our goal is to bring you innovative and durable products that will make your time on the water more enjoyable. Forespar's products are proudly made right here in the USA by our highly experienced and dedicated manufacturing team, and our customer service team stands ready to assist with any need.

Sincerely,
Scott Foresman
CEO



Photo by Billy Black

TABLE OF CONTENTS

ANCHORAGE STABILIZER -ROLL-X.....	24
BOOM VANGS.....	16
MULTIHULL BOW SPRITS.....	24
LINE CHOCKS.....	19
CLEATS.....	19
DAVITS - NOVA DAVIT™.....	28
EXIT BOX.....	19
HOYT JIB BOOM™ SYSTEM.....	24
JIB ROLLERS-SAIL SAVER.....	18
LIGHTNING MASTER™ (STATIC DISSIPATER).....	17
LANOCOTE®.....	34
LABEL SETS.....	25
LEISURE FURL™.....	49-50
LIFTS - NOVA LIFT™, MOTOR MATE™.....	27-28
LIGHTS, LED MAST & LIGHT GUARD NEW	17
LIGHTS, LED MOB RESCUE NEW	23
MARELUBE™ LUBRICANTS.....	32-33
MAST CARS.....	12-13
MOB POLES & HOLDERS.....	22-23
PLUMBING PARTS - MARELON®.....	35-48
BALL VALVES.....	37
DECK FILLS.....	47
DRAINS.....	47
DRAIN PLUGS.....	47
ELBOWS.....	40
ENGINE FLUSH-OUT.....	45
FLANGE SEACOCKS.....	37
FLOWTECH™ PERFORMANCE VALVES.....	42
GARBOARD DRAINS NEW	47
HOSE CONNECTORS.....	40
INTERLOCK SMART VALVE SYSTEMS NEW	44
INTEGRATED SYSTEMS NEW	38-39
SINK WASTES.....	48
ROV VALVES.....	44
TANK VENTS.....	48
THRU-HULL CONNECTORS.....	41
VENTED LOOPS.....	46
WATER STRAINERS.....	43
Y-VALVES.....	42
POLE ADAPTING COLLARS.....	11
POLE CHOCKS.....	14
POLE END FITTINGS.....	10-11
POLE MAST FITTINGS.....	12-13
PUREWATER+ NEW	30
QUIK DAVIT®.....	29
RAILFAST® HARDWARE.....	26
REACHING STRUTS.....	15
REPLACEMENT PARTS.....	52
REFRESH DEODORIZERS NEW	34
ROLL-X FLOPPER STOPPER.....	24
SAFETY EQUIPMENT.....	22-23
SAIL SAVERS.....	18
SHACKLE GUARDS.....	18
SPINNAKER POLES.....	8-9
STA-PLUG.....	23
STEERING CONTROL ARM.....	25
T-TRACK.....	12
TABLE PEDESTAL SYSTEM.....	27
TEA TREE POWER®.....	31
TEF 45™.....	33
TILLER EXTENSIONS.....	20-21
TILLER LOCK-BOX.....	21
TRACK STOPS.....	12
WHISKER POLES.....	4-7
VELOCITY CARBON WHISKER POLE NEW	7
WHISKER POLE LOCK REPAIR KITS.....	15
WINCH, MARELON®.....	25

Cover Photo courtesy of Jason Dolbier Photography
Sailing Yacht Aandeel with Custom Carbon Leisure Furl In-Boom Mainsail System

Downwind Sailing Made Easy

Downwind Poles Control Your Sails In Several Ways

No matter which sail you are using for your downwind sailing, a Forespar Downwind Pole will help you sail smoother, deeper and faster than using your sail without a pole. There are several important advantages including:

- **Stabilizes Sail Bounce** - Downwind poles help stabilize the sail by limiting the up and down movement which also reduces that annoying sail flop when it's light and lumpy.
- **Holds Sail Out for Deep Angle Sailing** - Downwind poles help hold the sail outboard allowing you to sail at a much deeper angle so you get to your downwind destination faster.
- **Helps You Trim and Steer More Effectively** - Because the sail is not oscillating back and forth, it allows you to maximize your trim and steer a more consistent downwind course.



Forespar® Is The #1 Manufacturer Of Downwind Sailing Poles

Forespar is the World's #1 manufacturer of whisker poles, spinnaker poles and associated gear. No matter if you sail a small daysailer or a large offshore race boat, we offer a wide array of downwind pole options and configurations to match your boat's specific needs.

A Few Examples Of Our Many Downwind Pole Variations



Twist-Lock™ Whisker Pole

Carbon Velocity Line-Control™ Whisker Pole

Full-Carbon Spinnaker Pole

Spinnaker or Whisker Pole, Carbon or Aluminum, Adjustable Length or Fixed, We Have The Right Pole For Your Boat.

Please Call Us With Any Questions. We're Here To Help!

Two Basic Types Of Downwind Poles

Whisker Poles

Control Your Jib, Genoa or Asymmetrical Sail When Sailing Deep Downwind

If you need to get downwind and have a conventional non-planing hull, a jib with a whisker pole is the fastest and easiest way to get to your destination. Just point her deep downwind, hook up the pole and take a comfortable sail directly towards your goal.

- Provides Stable Sailing On Deep Downwind Angles
- Works Well For Long Distance Downwind Sailing
- Adjustable Lengths For Use With Different Types Of Sails



Whisker Pole Type & Size Recommendations

We manufacture three different types of whisker poles including; the Twist Lock for smaller boats, the Patented Line Control, and the budget-minded Tri-Reacher. The table below is meant as a general guideline for selecting the proper size & type of whisker pole. These are based on boat length, sail choice and wind conditions, but heavier displacement or bowsprit type boats should consider using the next larger size pole.

For a more detailed list of boat type and recommended pole sizing go to www.forespar.com or call for advice.

Working Jib

Boat Length:	Light to Mod. Air	Mod. to Heavy Air	Genoa Light to Mod. Air	Genoa Mod. to Heavy Air
Up to 28 ft.	Twist Lock 4'-12'	Twist Lock 4'-12'	Twist Lock 6'-12'	Twist Lock 6'-12'
28 ft to 46 ft.	Line Control 10'-24'	Line Control 10'-24'	Line Control 10'-24'	Line Control 12'-27'
Up to 50 ft.	Line Control 15'-27'	Line Control 15'-27'	Line Control 15'-27'	Carbon Fiber Custom Poles
50ft and Over	Custom Carbon Line Control - Please contact Forespar for advise on ordering a pole of this size			

Spinnaker Poles

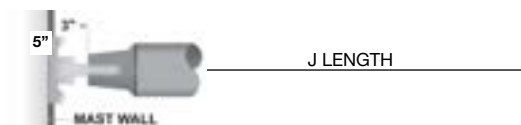
An Essential Component For Any Traditional Symmetrical Spinnaker

We offer a complete and diverse line of spinnaker poles in aluminum or carbon fiber. Each pole can be created using your choice of pole ends or mast connections. We manufacture eight complete end styles from which we create a multitude of combinations to fit the needs of all sailors - racer or cruiser.

- Perfect For Maximized Downwind Performance
- Allows for Extremely Deep Sailing Angles
- Easily Customized To Meet Your Specifications

Determining Pole Length

Spinnaker pole length is determined by the yacht's "J" measurement. This is the straight line distance from the front of the mast at deck level to the headstay. "J" measurement are often available from your sailplan, or contact Forespar® and we will assist you in determining the length.

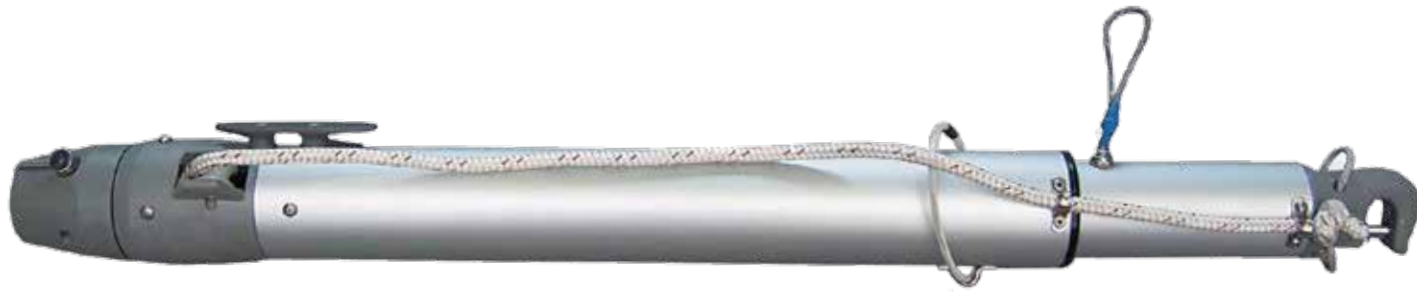


For Complete Size Recommendation Goto: www.forespar.com/techtips

Custom Poles

Our "customized" poles are built to specific dimensions. We can assemble your pole to spec, or end fittings and tubing are available separately for those who wish to assemble poles to their own specifications.

Line Control™ Whisker Poles



Our most popular Whisker Pole, the Line Control™ is a telescoping adjustable length whisker pole design only available from Forespar®. This simple system allows you to quickly and easily extend or retract the pole with the pull of a line. All length adjustments are made from the mast end of the pole by simply un-cleating the control line, extending or retracting the pole to the proper length, and then re-cleating the line. This eliminates the need to go forward to manually adjust the length, which makes pole deployment much safer.

- Perfect Choice For Boats 28 ft and Up
- Line Controlled Length Adjustments From Mast End
- Customizable Mast Connections and Ends
- Fitted With Polymer Non-marring Pole Ends
- Fully Retractable For Compact Onboard Storage
- Topping Lift Attachment Points Included

Adjusting Line Control Poles Is As Easy As 1 - 2 - 3

Never Attempt To Adjust While Under Load!



- 1 Un-Cleat The Line**
- 2 Pull Line To Extend The Pole**
- 3 Re-Cleat The Line.**

Line Control Model Sizing Recommendations

See Table On Following Page For Corresponding Line Control Pole Models*

Working Jib

Boat Length:	Light to Mod. Air	Mod. to Heavy Air
Up to 33 ft.	LC 10-18	LC 10'-18'
Up to 35 ft.	LC 12'-22'	LC 12'-22'
Up to 46 ft.	LC 13'-24'	LC 13'-24'
Up to 50 ft.	LC 15'-27'	LC 15'-27'

Genoa

Light to Mod. Air	Mod. to Heavy Air
LC 10'-18'	LC 12'-22'
LC 12'-22'	LC 13'-24'
LC 13'-24'	LC 15'-27'
LC 15'-27'	Carbon Fiber Custom Poles

Learn More
forespar.com/trireacher

Line Control Pole Configurations

Learn More
forespar.com/spinnakerpoles



Aluminum

- Perfect Choice For Durable Cruising
- Reasonably Lightweight
- Withstands Harsh Marine Environment

Full Carbon

- Ultimate Performance
- Extremely Lightweight
- White Finish for UV Protection

50/50 Combo

- Good Balance of Weight and Durability
- Lightweight Carbon & Aluminum Combo
- Excellent Value to Weight



Models, Specs & Recommended Mast Fittings

See Pages 12 to 13 for Corresponding Pole End Fittings & Accessory Details*

Part #	LC Model #	End Fittings		Recommended Mast Fittings	Collapsed Length / Weight	Max. Working Length	Tubing Diameters
		Inboard	Outboard				
401106	LC 10-18 EL-UXP	EL-UXP	UXP	PE-3SC, RC-125, FC-125	121.75"/17 lbs.	218.13"	2" & 2-1/2"
401107	LC 10-18 EL-UTR	EL	UTR	PE-3SC, RC-125, FC-125	121.75"/17 lbs.	218.13"	2" & 2-1/2"
402200	LC 12-22 UXP-UTR	UXP	UTR	RC-125, FC-125	148.50"/27 lbs.	265.25"	2-1/2" & 3"
402201	LC 12-22 UTS-UTR	UTS	UTR	T-125-S	148.50"/28 lbs.	265.25"	2-1/2" & 3"
800802	LC 12-22 UTS-UTR-CF	UTS	UTR	T-125-S	148.50"/19 lbs.	265.25"	2-1/2" & 3"
402203	LC 12-22 COMBO	UTS	UTR	T-125-S	148.50"/24 lbs.	265.25"	2-1/2" & 3"
403200	LC 13-24 UXP-UXP	UXP	UXP	RC-125, FC-125	162.00"/38 lbs.	272.00"	3" & 3-1/2"
403202	LC 13-24 UTS-UTR	UTS	UTR	T-125-S	162.00"/39 lbs.	272.00"	3" & 3-1/2"
800800	LC 13-24 UTS-UTR-CF	UTS	UTR	T-125-S	162.00"/24 lbs.	272.00"	3" & 3-1/2"
403203	LC 13-24 COMBO	UTS	UTR	T-125-S	162.00"/34 lbs.	272.00"	3" & 3-1/2"
405200	LC 15-27 UTS-UXP	UTS	UXP	T-125-S	182.00"/58 lbs.	324.00"	3-1/2" & 4"
405201	LC 15-27 UTS-UTR	UTS	UTR	T-125-S	182.00"/58 lbs.	324.00"	3-1/2" & 4"
800801	LC 15-27 UTS-UTR-CF	UTS	UTR	T-125-S	182.00"/32 lbs.	324.00"	3-1/2" & 4"
405203	LC 15-27 COMBO	UTS	UTR	T-125-S	182.00"/42 lbs.	324.00"	3-1/2" & 4"

* When selecting accessories be sure to match the accessory size to the corresponding pole size.

TECH TIPS FOR AN ONLINE WHISKER POLE SELECTION GUIDE GOTO:
www.forespar.com/whisker2011.shtml#B_LIST

Twist Lock Poles

For Boats 28ft & Under



- Perfect Choice For Boats Under 28 ft
- Length Adjusts With A Simple Twist
- Includes Non-Marring Ends and Mast Pad Eye

Telescoping whisker poles models that can be adjusted to the desired length by simply twisting the inner and outer tubes in opposites directions. Tightened, the pole will securely hold its length until it is twisted in the opposite direction. All Twist Lock poles include non-marring, high strength polymer Ultra Series™ pole ends.

Twist Lock Repair Components - See Page 16

Small Boat Twist Lock Poles

Weighing only 3 pounds, these compact telescoping Twist Lock poles are perfect for daysailors, dinghies and small one-design race boats. All Small Boat poles include strong corrosion-free Lexan end fittings and a Mast Pad Eye with stainless steel screws.



ADJ DL "Double Latch" Style
ADJ DL models have secure latch fittings on both ends



ADJ "Spike End" Style
ADJ models have "Spike" fitting on one end for inserting into sail clew

Part #	Model #	Size/Weight
404000	ADJ 4-8	Spike fitting on one end - Telescopes from 53" to 93" - 1" outer diameter
404100	ADJ DL 4-8	Double Latch (DL) fittings on both ends - Telescopes from 53" to 93" - 1" outer dia.
406000	ADJ 6-12	Spike fitting one end - Telescopes from 72" to 134" - 1- 1/4" outer diameter
406100	ADJ DL 6-12	Double Latch (DL) fittings on both ends - Telescopes from 72" to 134" - 1 1/4" outer dia.
404011	PE-1	Pad Eye Only



PE-1

Small Twist Lock End Repair Kit

Part #	Model #	Size/Weight
300026	ADJ 4-8	Replacement End Kit
300027	ADJ 6-12	Replacement End Kit



Heavy Duty Telescoping Twist Lock Poles

These telescoping whisker poles are heavy duty two or three section aluminum spars which can be extended to lengths up to 15' and securely locked in position by an internal twist lock device. These poles feature self-latching Ultra Series™ fittings on the inboard and outboard ends. Mast Pad Eyes (PE-3SF or PE-3SC - See Page 12) are recommended.



Part #	Model #	Size/Weight
406300	HD 6-12-DL	Two sections extending from 79" to 138", 1-7/8" outer tube diameter. With self-latching fittings on both ends/8 lbs.
407101	ADJ 7-15-DL	Three sections extending from 83" to 169", 2 in. outer tube diameter. With self-latching fittings on both ends/8 lbs.

Use Small Boat Mast Connection #400001 or #400002 - See Page 12



Velocity Light Air Carbon Whisker Pole

Our new Velocity™ Series offers an affordable two-piece telescoping carbon fiber whisker poles that quickly adjusts to the necessary length using a 2:1 line control type system. Extremely lightweight, Velocity poles can be quickly deployed, adjusted and retracted as needed with a simple pull of a line to match the clew position of almost any jib, genoa or asymmetrical sail.

All Velocity™ poles feature non-marring Ultra Series™ UXP composite polymer pole ends that can be attached to the mast using a mast car or fixed mast mount. Each pole comes standard with a matte textured EZ Grip finish.

The Light Air Solution For Boats Up To 42 Feet In Maxium Length

- Two-Piece Full Carbon Fiber Construction
- Mast End Line Controlled Length Adjustment
- Extremely Lightweight for Easy Deployment & Storage
- Standard Matte Finish
- Boat Length Not to Exceed 42' L.O.A.

Part #	Model/Length	Inbrd/Otbrd End
800803	12-22 12' to 22' Length Extension - Double External Trip Ends	UXP/UXP
800805	12-22 13' to 24' Length Extension - With Toggle (TS) Mast End	UTS/UXP
800805	13-24 12' to 22' Length Extension - With Toggle (TS) Mast End	UTS/UXP

See Pages 11 to 16 for Corresponding Pole End, Mast Fittings & Accessories



Tri-Reacher Pole

For use on boats 31 to 40 feet in length, the Tri-Reacher Whisker Pole was created to offer an affordable way to enjoy the performance benefits of an adjustable length whisker pole. This design uses large, easy to handle D-ring retention set pins for adjustment. Simply pull and twist the pin to hold it out, adjust the sections to the desired length and then reset the pin into the closest hole. Includes Ultra Series™ non-marring polymer pole ends.

Part #	Description
408201	Tri-Reacher UXP - UXP - Double External Trip Ends
408200	Tri-Reacher UTS - UXP - With Toggle (TS) Mast End

See Page 13 for Corresponding Mast Fittings & Accessories

- Stows at 8' 8" - Extends to 20' 8"
- Secure Set-Pin Adjustment Points
- Weighs just 19 pounds
- All Aluminum with Polymer Ultra Ends

Twist-Lock Repair Kits

To recondition any of our twist-lock telescoping poles, we offer lock repair kits. Complete instructions and all necessary parts are provided.



Part #	Lock for:
400006	TAP's & ADJ 4-8's
400007	BHT's & TAP HD's
400008	ADJ 6-12
400009	HD 6-12
400010	ADJ 7-15 (Two-lock set)



FOR AN ONLINE WHISKER POLE SELECTION GUIDE GOTO:

www.forespar.com/whisker2011.shtml#B_LIST

Spinnaker Poles

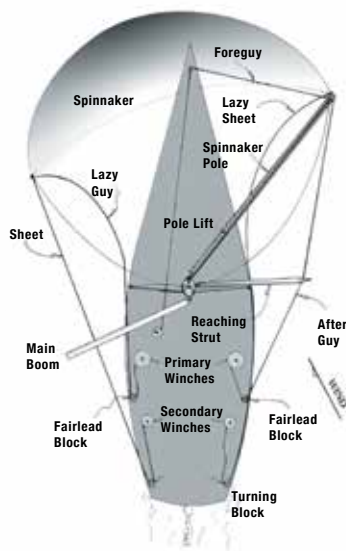
Carbon or Aluminum Spinnaker Poles



Forespar® is the world's leading manufacturer of spinnaker poles. We offer a complete and diverse line of poles in either carbon fiber or aluminum construction. Combined with our extensive line of pole end connections, we are able to create a multitude of combinations to fit the specific need of racing and cruising sailors alike.

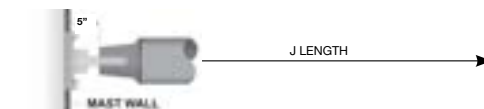
- End-to-End or Dip Jibe Configurations
- Carbon - Aluminum
- Customizable End Fitting and Mast Connection Options

Conventional Spinnaker Set-Up Varies by Boat Model, Size and Sail Type



Determining Pole Length

The length of your spinnaker pole is determined by the yacht's "J" measurement. This is the straight line distance from the front of the mast at deck level to the headstay. The "J" measurement is available from your sailplan, or contact Forespar and we will be able to assist you in determining the proper length.

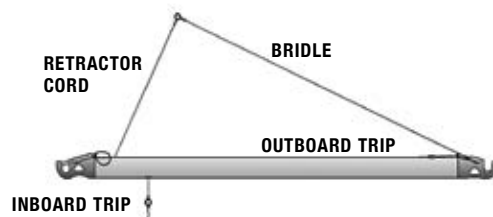


NOTE: For poles with our TS & UTS end fittings and using a Forespar T-125-S CAR, 5" is subtracted when given a "J" dimensions to establish pole length.

Retractable Bridle Option

Allows the sailor to smoothly complete a spinnaker jibe without detaching the pole from the mast. For custom spinnaker poles 3" in diameter or larger only featuring internal outboard-end trip lines and a retractable topping lift.

Part #	Description
300032	Retractable Bridle Option



Standard Spinnaker Poles

The #1 selling Spinnaker pole in the world, our "Standard" durable aluminum poles come in a variety lengths, diameters and end configurations. Pole length and ends can be selected to fit your needs no matter if you do end-to-end or dip style jibes.

Part #.	Model	Weight	Dia.	Max Length	Description
304100	UXP-150-UXP	6 lbs.	1 1/2"	7'-8"	ULTRA UXP fitting both ends.
304101	UXP-200-UXP	10 lbs.	2"	9'-6"	ULTRA UXP fitting both ends.
304102	UXP-200-UTR	11 lbs.	2"	9'-6"	ULTRA Trigger one end/ULTRA Piston other.
304103	UTR-200-UTR	11 lbs.	2"	9'-6"	ULTRA Trigger fitting both ends.
304104	UXP-250-UXP	14 lbs.	2 1/2"	11'-6"	ULTRA UXP fitting both ends.
304105	UTR-250-UXP	15 lbs.	2 1/2"	11'-6"	ULTRA Trigger one end/ULTRA Piston other.
304106	UTR-250-UTR	15 lbs.	2 1/2"	11'-6"	ULTRA Trigger fitting both ends.
304107	UXP-300-UXP	18 lbs.	3"	13'-6"	ULTRA UXP fitting both ends.
304108	UTR-300-UXP	19 lbs.	3"	13'-6"	ULTRA Trigger one end/ULTRA Piston other.
304109	UTR-300-UTR	19 lbs.	3"	13'-6"	ULTRA Trigger fitting both ends.
304110	UXP-350-UXP	33 lbs.	3 1/2"	15'-5"	ULTRA UXP fitting both ends.
304111	UTR-350-UXP	33 lbs.	3 1/2"	15'-5"	ULTRA Trigger one end/ULTRA Piston other.
304112	UTR-350-UTR	34 lbs.	3 1/2"	15'-5"	ULTRA Trigger fitting both ends.

Small Boat Pole Kits

Each Mini 6'/7' kit includes anodized aluminum tubing, nylon latching end fittings, nylon lanyard, mast pad eye and epoxy kit. One end is loose so you can cut tubing to desired over-all length and then fasten end fittings with epoxy. Less than 10 minutes to complete.



Part #	Model #	Size/Weight
303600	Mini-6	1" dia.-6' Kit/4 lbs.
303700	Mini-7	1-1/4" dia.-7' Kit/4.5 lbs.

Offshore Spinnaker Poles

Part #	Model	Weight	Length	Description
302028	TS-300-GP	22 lbs.	14'	Socket Inboard/GP Outboard.
304115	UTS-300-UTR	18 lbs.	13.5'	ULTRA Socket Inboard/ULTRA Trigger Outboard.
304116	UTS-300-UGPS	19 lbs.	13.5'	ULTRA Socket inboard/ULTRA GPS Outboard.
302032	TS-350-GP	35 lbs.	15.5'	Socket Inboard/GP Outboard.
304117	UTS-350-UTR	33 lbs.	15'	ULTRA Socket Inboard/ULTRA Trigger Outboard.
304118	UTS-350-UGPS	34 lbs.	15'	ULTRA Socket inboard/ULTRA GPS Outboard.
302036	TS-400-GP	47 lbs.	19'	Socket Inboard/GP Outboard.
304119	UTS-400-UGPS	44 lbs.	18.5'	ULTRA Socket Inboard/ULTRA GPS Outboard.
302040	TS-450-GP	52 lbs.	21'	Socket Inboard/GP Outboard.
304120	UTS-450-UGPS	49 lbs.	20.5'	ULTRA Socket Inboard/ULTRA GPS Outboard.

All Require T-125-S or T-150-A Toggle TS Style Mast Connection - See Page 13

Custom Offshore Spinnaker Poles

Our custom Offshore Series spinnaker poles provide the serious racer with rugged, reliable and efficient downwind equipment designed to withstand the rigors of extended offshore racing.

Please Call To Order: Due to the variety of personal preferences concerning bridle and topping lift rigging on offshore end type poles, no "standard" rigging is included on the poles above.



Carbon Fiber Spinnaker Poles

Three Carbon Fiber Pole Finishes

- Standard "EZ Grip" Has a Rough Textured Finish
- High Gloss UV Resistant Clear Coated
- Awlgrip™ Painted Pole for the Best UV and Impact Protection



Straight Non-Tapered Tubes

Part #	O.D.	Total Weight	Fittings	Bridles	Length	Finish
800901	2.0"	4 lbs.	UXP-UXP	Double	10.0'	EZ Grip
800101	2.5"	4.5 lbs.	UXP-UXP	Double	12.0'	EZ Grip
800102	2.5"	4.5 lbs.	UTR-UTR	Double	12.0'	EZ Grip
800201	3.0"	8 lbs.	UXP-UXP	Double	14.0'	EZ Grip
800202	3.0"	8 lbs.	UTR-UTR	Double	14.0'	EZ Grip
800203	3.0"	9.5 lbs.	UTS-UTR	Double	14.0'	EZ Grip
800301	3.5"	11.5 lbs.	UTR-UTR	Double	16.5'	EZ Grip
800302	3.5"	11.5 lbs.	UXP-UXP	Custom	16.5'	EZ Grip
800303	3.5"	12 lbs.	UTS-UTR	Custom	16.5'	EZ Grip
800304	3.5"	14 lbs.	UTS-UGPS	Custom	16.5'	EZ Grip
800404	4.0"	20 lbs.	UTS-GP	Custom	18.5'	EZ Grip
800405	4.0"	21 lbs.	UTS-UGPS	Custom	18.5'	EZ Grip
800501	4.5"	25 lbs.	UTS-GP	Custom	22.5'	EZ Grip
800503	4.5"	26 lbs.	UTS-UGPS	Custom	22.5'	EZ Grip

Double Tapered Tubes

800502	4.5" to 3.5"		UTS-UTR	Custom	22.5'	EZ Grip
800504	4.5" to 3.5"		UTS-GP	Custom	22.5'	EZ Grip
800505	4.5" to 3.5"		UTS-UGPS	Custom	22.5'	EZ Grip
800601	5.0" to 3.5"		TS-GP	Custom	24.5'	EZ Grip
800701	6.0" to 4.0"		TS-GP	Custom	28.5'	EZ Grip

TECH TIPS FOR ONLINE SPINNAKER POLE ORDER FORM GO TO THE SUPPORT TAB ON OUR WEBSITE: www.forespar.com

SMALL BOAT & CARBON SPINNAKER POLES

Ultra Series™ Composite Pole Ends

Our Ultra Series polymer end fittings represent the cutting edge in pole technology. Designed to be durable, high strength, very light weight, non-marring and resistant to corrosion, they are perfect for aluminum or carbon fiber poles. The Ultra Series™ is the smart choice for inshore and offshore racing or cruising. Maximum boat LOA outboard end - 43'. Maximum boat LOA inboard end - 36'. Available with or without auto-triggers. All larger boats use GP Series fittings.

- Extremely Strong & Durable Composite Polymer Construction
- Very Light Weight and Corrosion Resistant
- Non-Marring Material Protects Your Boat
- Available in Black or Gray Color
- Spectra™ Trip Line With Terminal Eyestraps Included

Note: Ultra ends require a minimum 1.5" mast ring dia. or warranty is voided

UXP External Trip Ends & EL Inboard End Fitting

Our standard Ultra pole end style, the UXP uses a conventional external trip line to open the spring-loaded jaw latch. Simply pull the line to open and release it to close.

Model	Gray Part #	Black Part #	Fits Pole Dia.	Tube I.D.	Length	Weight
UXP-150-EF	304054	304054B	1.5"	1.370"	2.750"	6.97 oz.
UXP-200-EF	304050	304050B	2.0"	1.870"	2.750"	6.97 oz.
UXP-250-EF	304051	304051B	2.5"	2.334"	3.125"	9.25 oz.
UXP-300-EF	304052	304052B	3.0"	2.835"	3.000"	11.92 oz.
UXP-350-EF	304053	304053B	3.5"	3.260"	3.625"	15.72 oz.

UXTR Automatic External Trip Line Ends

The UXTR combines the simplicity of an external trip line with the convenience of an automatic jaw latch that can be locked-open and then automatically engaged once the pole is set. This allows you to insert a sheet or connect it to the mast without holding or forcing the jaw open. As soon as the jaw is pushed onto a mast ring or sheet, the latch is automatically engaged.

Model	Gray Part #	Black Part #	Fits Pole Dia.	Tube I.D.	Length	Weight
UXTR-200	304090	304090B	2.0"	1.870"	2.750"	6.0 oz.
UXTR-250	304091	304091B	2.5"	2.334"	3.125"	9.25 oz.

UTR Automatic Internal Trip Line Ends

The UTR combines an internal trip line system with the convenience of an automatic jaw latch that can be locked-open and then automatically engaged once the pole is set. The 3" and 3.5" models also include a small "Trigger Ball" on the end which allows you to click the jaw open at the end without going to the other side of the pole. As soon as the jaw is pushed onto a mast ring or sheet, the latch is automatically engaged.

Model	Gray Part #	Black Part #	Fits Pole Dia.	Tube I.D.	Length	Weight
UTR-200-EF	304060	304060B	2.0"	1.870"	2.750"	6.97 oz.
UTR-250-EF	304061	304061B	2.5"	2.334"	3.125"	9.25 oz.
UTR-300-EF	304062	304062B	3.0"	2.835"	3.000"	11.92 oz.
UTR-350-EF	304063	304063B	3.5"	3.260"	3.625"	15.72 oz.



Closed Locked Open



Closed Locked Open

Latch Trip Trigger

Trigger Ball Included On 3" & 3.5" Models

Grand Prix Large Boat End Fittings

Designed for large boats, our Grand Prix series includes ends sized for boats up to 60 or 75 feet LOA. The series includes the traditional solid aluminum GP models, and a lightweight and non-marring composite Grand Prix Ultra Series™ model that includes a stainless steel throat liner for long-term durability. **All Grand Prix poles are custom made, please call for details.**



UGPS

Max Boat Length 60'

GP

Max Boat Length 75'

Grand Prix Ultra Series™ Ends

Part #	Model	Tube Dia.	Tube I.D.	Weight w/o trip	Fitting Length
304021	UGPS-300-EF-ULTRA	3.0"	2.835"	2 lb 6 oz	5.00"
304022	UGPS-350-EF-ULTRA	3.5"	3.260"	2 lb 9 oz	5.625"
304023	UGPS-400-EF-ULTRA	4.0"	3.750"	2 lb 3 oz	5.625"
304024	UGPS-450-EF-ULTRA	4.5"	4.260"	3 lb 3 oz	5.1875"

Grand Prix Ends

Part #	Model	Tube Dia.	Tube I.D.	Weight w/o trip	Fitting Length
309030	GP-300-EF (Aluminum)	3.0"	2.835"	2 lb 12 oz	5.00"
309033	GP-350-EF (Aluminum)	3.5"	3.260"	3 lb 6 oz	5.625"
309035	GP-400-EF (Aluminum)	4.0"	3.750"	3 lb 14 oz	5.625"
309038	GP-450-EF (Aluminum)	4.5"	4.260"	4 lb 13 oz	5.1875"

TS & UTS Auto Socket End Fittings



Requires TS Toggle Style Mast Connection - See Page 13

Perfect for boat 50 to 70 feet, this unique "socket" type mast end fitting automatically locks onto the TS style mast toggle pin with a quick and easy push. The release is just as quick with a press of the lever. Universal socket design fits either the T-125 or T-150 size mast connection

Part #	Model #	Dia.	Tube I.D.	Weight
309028	TS-300-EF (Aluminum)	3.0"	2.835"	1 lb 10 oz
304080	UTS-300-ULTRA	3.0"	2.835"	1 lb 4 oz
309031	TS-350-EF (Aluminum)	3.5"	3.260"	1 lb 13 oz
304081	UTS-350-ULTRA	3.5"	3.260"	1 lb 7 oz
405006	TS-400-EF (Aluminum)	4.0"	3.750"	2 lb 2 oz
309036	TS-450-EF (Aluminum)	4.5"	4.260"	2 lb 13 oz
304082	UTS-400-ULTRA	4.0"	3.750"	1 lb 7 oz
304083	UTS-450-ULTRA	4.5"	4.260"	1 lb 7 oz

Adapting Collars

Adaptive collar inserts allow you to use a smaller pole end on larger diameter pole. All collars are made of composite polymer Ultra material.



Available in Gray or Black

Part #	Model #	Adapts:
304049	AC-2 "ULTRA"	2.00" to 2.50"
304048	AC-3 "ULTRA"	3.00" to 3.50"
304085	"ULTRA"	3.00" to 4.00"
304086	"ULTRA"	3.00" to 4.50"
304049B	AC-2 "ULTRA" Black	2.00" to 2.50"
304048B	AC-3 "ULTRA" Black	3.00" to 3.50"
304085B	"ULTRA" Black	3.00" to 4.00"
304086B	"ULTRA" Black	3.00" to 4.50"

Mast Connections

Small Boat Fixed Mast Pad Eyes

Our basic stainless steel Mast Pad Eyes are designed for use with our Heavy duty Twist Lock whisker poles and Small Boat spinnaker poles. Measuring 2-3/4" x 2", these pad-eyes have inside ring diameters of 1-5/8". PE-3SF is for flat mast surfaces while the PE-3SC is slightly bent to better accommodate a curved mast.

- For Use With Smaller Boats Under 28ft
- Sturdy Stainless Steel Construction
- Easy To Install
- Flat or Curved Base For Use With Curved Surfaces



PE-3SF & PE-3SC Pad-Eyes

Part #	Model	Use With
400001	PE-3SF (Flat Base)	Heavy Duty Twist Lock Poles
400002	PE-3SC (Curved Base)	Heavy Duty Twist Lock Poles
400012	PE-3-SSF w/ struts (Flat Base)	Small Spinnaker Poles

#400012 Is For Small Boat Spinnaker Pole Use Only

Fixed Mast FC Connections

Our Fixed Mast FC mast connections are perfect for those who want to add a spinnaker or whisker pole, but don't want a track system on the mast. A perfect solution for boats 30 to 50 feet, the "FC" works with piston and trigger Ultra Series UXP, UXTR or UTR end fittings shown on [see page 10](#). The hinged bases adjust to fit mast sizes ranging from 2 1/2" to 5 1/2" wide. Polished stainless, it measures 7" long and has 10 - 1/4" staggered mounting holes. Use 5/16" round-head machine screws 3/4" in length.



#332026

For Boats Over 25' to 35' Feet

#332025

For Boats Over 35' Feet

- Use With UXP, UXTR & UTR Pole Ends
- For Use On Boats 25 to 50ft
- Easy To Install - No Track Installation Necessary
- Hinged Mounting Plates Adjusts To Mast Shape

Part #	Description
332025	Large Fixed Mast FC Mount
332026	Small Fixed Mast FC Flange Mount

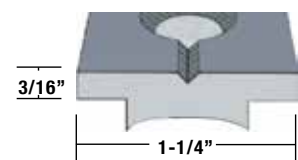


To Prevent Dissimilar Metal Corrosion, We Recommend The Use Of Forepar's Lanocote When Mounting Stainless to Aluminum

Mast T-Track Sections For Mast Cars



Searching for optimal sail shape and performance? We recommend installing a mast track on the front of your mast. This allows you to use one of our adjustable Mast Cars so you can adjust the mast end height of your downwind pole. For racing, a track allows you to lower the pole for upwind tacking and then quickly raise it again for a spinnaker set. Constructed of 1.25" clear anodized aluminum, they come with pre-drilled, counter-sunk holes spaced on 4" center. Use 5/16" X 3/4" long flathead stainless machine for mounting.



Part #	Model #
339007	T-Track 5' Length
339008	T-Track 10' Length

Ultra Track Stop MS-125

Ultra construction prevents the cracking and shattering common with plastic stops.

Part #	Model #
339009	MS-125



T-Track Adjustable Mast Cars

Our adjustable height Mast Cars are designed to slide up and down a 1 1/4" T-Track and are perfect for anyone searching for optimum sail shape and performance. Each features strong Stainless construction and polyethylene slides inserts.

- Use With UXP, UXTR & UTR Pole Ends
- Requires 1 1/4" Mast T-Track
- For Use On Boats 25 to 50ft
- Strong Stainless Steel Construction



Ring Style Adjustable T-Track Mast Car

Our RD-125 ring style mast car is cast of exceptionally strong 17-4 heat treated stainless steel. Compatible with UXP and UTR end fittings, it has a ring I.D. of 1-5/8" and a screw lock-pin for positive adjustment into track pin holes. It can also be used with up and downhaul shackles for line height adjustment.

Not Recommended For Use With Vertically Stored Poles

Part #	Model
331000	RC-125

Heavy Duty FC Adjustable T-Track Mast Car

The heavy duty FC-125 spinnaker mast car is recommended for use with UTR, UXP or UXTR type pole ends. Perfect for boats 25 to 50 feet, the FC car allows for a wide range of vertical and horizontal movement while eliminating undesirable twist.



FC-125



Selden FC Flange

FC Style Mast Car For Selden

Designed so you can use our UXP, UTR or UXTR pole ends with Selden #511 or #533 mast cars.

Part #	Model
332002	FC-125
332004	Selden FC Flange

Toggle "TS" Style Connections



Use With TS & UTS Socket End Fittings - [See Page 11](#)

Designed for use with socket style TS & UTS end fittings, our "Toggle" style mast connections are perfect for boats 35 to 70 feet. They automatically lock into place with a firm push, and release with a quick press of the lever. Offered in either an all stainless steel fixed model or adjustable T-Track styles made of stainless steel and hard coat anodized extruded aluminum, they are the best solution for large boat mast connections.



Fixed-TS

T-125-S

T-150-A

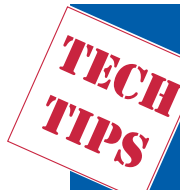
- Use With TS & UTS Socket End Fittings Only!
- For Use On Boats 35 to 70ft
- Requires 1 1/4" or 1 1/2" Mast T-Track
- Fixed or Adjustable T-Track Styles
- Strong Stainless Steel Construction

T-150-A Fits Standard Schaefer 1-1/2" Track

Part #	Model	Boat Size	T-Track
333004	T-125-S (Stainless Body)	35' to 50'	1-1/4"
334100	T-150-A (Aluminium Body)	50' to 70'	1-1/2"
333025	Large Fixed Mast TS Flange Mount	35' to 70'	
333020	Long Toggle Vertical Storage Option*		
333010	Toggle & Knuckle Assembly		
331013	Replacement Anti-Friction Track Runners (Sold in Pairs)		

NOTE: For poles with our TS & UTS end fittings and using a Forespar T-125-S CAR, 5" is subtracted when given a "J" dimensions to establish pole length.

* To allow vertical storage on the mast of larger poles up to 6" diameter, specify our long toggle option. Our standard toggle works with poles to 4-1/2" diameter.



IMPORTANT: MAST CAR & EYE SIZES ON OLDER BOATS

Many boats built through the 70's and early 80's came with mast pad eyes or ring cars with relatively small ring diameters. Forespar "Ultra" series end fittings require a minimum of 1-1/2" I.D. rings for proper function. If the ends are used on rings less than 1-1/2" I.D., the jaws can bind-up in the rings and the ends will fail. Lesser diameter rings should be changed-out to avoid potential failure. Forespar will not warrant ends that fail due to improperly sized rings on the mast performance life.



MINIMUM RING INNER DIAMETER MUST BE BETWEEN 1-1/2" AND 2" FOR PROPER FUNCTION OF FORESPAR END FITTINGS

Pole Storage Options

Vertical Pole Storage

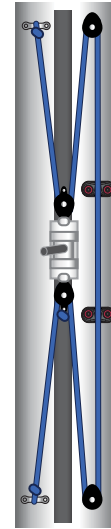


Storing poles (whisker or spinnaker) vertically up the forward face of the mast has become very popular. It clears the decks and keeps the cruising sailor from having to lift the entire weight of the pole from the deck to the mast car. By combining our VPC-125 T-Track Storage Chock with our fixed MPC Mast Chock with a running T-track system similar to the one shown to the right, you can create a highly effective vertical pole storage system.

Selection of the proper mast car and inboard end fitting combination is critical. Ring style cars will not allow a pole to hang vertically without binding and eventually breaking the end fitting. **Forespar® does not recommend ANY ring style mast cars for vertical pole storage.**

Requires T-125 or FC-125 Mast Connection - See Page 13

Sample Vertical Storage Configuration



Upper End VPC-125 T-Track Chock

The VPC-125 retains the upper end of a vertically stored pole in an adjustable car chock on the T-Track to help eliminate rattle, vibration and binding of the pole end. All four cars fit 1-1/4" T-Track and can be rigged with our FC-125 and T-125 mast cars.

Part #	Model	Pole Dia
335100	VPC-125-250	2-1/2"
335101	VPC-125-300	3"
335102	VPC-125-350	3-1/2"
335103	VPC-125-400	4"



Lower End MPC Fixed Mast Chock

Molded from durable high tech urethane, these chocks allow for stowing the pole vertically against the face of the mast. Two MPC chocks mounted 2-3 feet apart will help stop the pole from rattling.

Part #	Model	Pole Dia
300050	SC 200	2"
300042	SC 250	2-1/2"
300043	SC 300	3"
300044	SC 350	3-1/2"

Deck Chocks

Our deck mounted chocks stow a spinnaker poles or whisker poles on the deck. The highly durable composite polymer "Ultra" deck chocks use a "snag-proof" low profile design.



DC-2



DC-TS



DC-TS-S



DC-2-S

Part #	Model	Description
300002	DC-2 "Ultra"	For UXP, UTR, GP & UGPS end fittings
300013	DC-TS "Ultra"	For Toggle Style TS & UTS end fittings
300028	DC-TS-S	Stainless - for Toggle UTS & TS ends
300029	DC-2-S	Stainless - for UXP, UTR, UGPS & GP ends

Stanchion Mount Pole Chocks

Stop stumbling over deck mounted poles. These chocks store your pole off the deck and along your stanchions. Molded from durable, weather-resistant urethane and mounted easily onto 1" stanchions. For spinnaker, whisker poles or reaching struts. For poles 2" to 3-1/2" in diameter.

Sold Individually

Two Required for each pole.



Part #	Model	Pole Dia
300050	SC 200	2"
300042	SC 250	2-1/2"
300043	SC 300	3"
300044	SC 350	3-1/2"

Reaching Struts & Accessories

Reaching Struts

Self-Latching Struts

These struts feature the easy-latching inboard fitting which quickly and securely snaps onto the mast ring. Use of our stainless steel PE-3SF or PE-3SC mast pad eyes is recommended for proper fit.



RSO

UXP

Part#	Model #	Kit Length & Weight	Dia.	Mast Fitting
341000	RS-200-UXP	5'7 lbs.	2"	PE-3SF or PE-3SC
341001	RS-250-UXP	6'9 lbs.	2 1/2"	PE-3SF or PE-3SC
341002	RS-300-UXP	7'10 lbs.	3"	PE-3SF or PE-3SC

Also Available In Carbon Fiber



RSO

Automatic TS End

Automatic TS Style Locking Struts

This series of struts features our special TS socket-type end that automatically locks onto the toggle-pin mast fitting with an easy push on the strut. A simple release lever allows the strut to be quickly removed. Designed to push guy sheets out further to weather, it reduces line chafe which is especially valuable in competitive racing situations.

TMP mast fitting is required - See Below.

Part #	Model	Kit Length & Weight	Dia.
343000	RS-300-TS	7'11 lbs.	3"
343001	RS-400-TS	9'17 lbs.	4"

Also Available In Carbon Fiber

TMP Mast Fittings For TS Toggle Style Reaching Struts

Part #	Description
343002	Aluminum
343010	Stainless Steel

Strut End Fittings

The RSO-200/250 accepts up to 3/8" line while the RSO-300 and RSO-400 accept up to 5/8" line.

Part #	Model #	Strut End	Tube I.D.
349000	RSO-200-EF	Outboard	1.870"
349001	RSO-250-EF	Outboard	2.334"
349002	RSO-300-EF	Outboard	2.835"
349003	RSO-400-EF	Outboard	3.750"
304050	UXP-200-EF	Inboard	1.870"
304051	UXP-250-EF	Inboard	2.334"
304052	UXP-300-EF	Inboard	2.835"
309028	TS-300-EF	Inboard	2.835"
405006	TS-400-EF	Inboard	3.750"

Reaching struts are traditionally the same diameter as your spinnaker pole. To figure the length use: 1/2 the beam of the boat + 3 feet or approximately 39% of the J measurement



ALUMINUM TUBING

Clear anodized to military specification (triple commercial). Prime marine alloy 6063-T6. All tubing sold in stock lengths.

Part No.	O.D.	Stock Lengths	Wall	I.D.	Wt./ Ft.	Part No.	O.D.	Stock Lengths	Wall	I.D.	Wt./ Ft.
500018	1-1/2"	22'6"	.065"	1.370"	.35 lbs	301065	3"	11'2"	.083"	2.835"	1.00 lb
500014	1-1/4"	12'	.050"	1.150"	.22 lbs	301072	3"	12'2"	.083"	2.835"	1.00 lb
408002	1-1/2"	7'2"	.065"	1.370"	.35 lbs	301019	3"	13'	.083"	2.835"	1.00 lb
301005	1-1/2"	7'6"	.065"	1.370"	.35 lbs	301063	3"	16'	.083"	2.835"	1.00 lb
500020	2"	21'6"	.065"	1.870"	.47 lbs	301030	3"	23'4"	.083"	2.835"	1.28 lb
408003	2"	7'2"	.065"	1.870"	.47 lbs	301061	3-1/2"	24'4"	.120"	3.260"	1.50 lb
401004	2"	9'1"	.065"	1.870"	.47 lbs	403004	3-1/2"	12'2"	.120"	3.260"	1.50 lb
301058	2-1/2"	20'2"	.083"	2.334"	.74 lbs	301059	3-1/2"	14'	.120"	3.260"	1.50 lb
301056	2-1/2"	9'	.083"	2.334"	.74 lbs	301024	3-1/2"	15'	.120"	3.260"	1.50 lb
301057	2-1/2"	11'2"	.083"	2.334"	.74 lbs	301003	4"	20'	.120"	3.750"	1.72 lb

* Custom Tubing is also available by the foot, call for pricing

YACHT ROD™

The High Performance Spring-Loaded Mechanical Boom Vang

Precision design in three sizes. Excellent vang/boom support for performance cruising and racing. White powder coated aluminum & polished stainless steel. Supplied with spectra cable ready to add your tackle system. Your 4:1 equals 8:1 when installed on Yacht Rod™. Can be led to small winch for additional power. Spring return holds boom.

Brackets for mast and boom sold separately. Mast and boom fittings are listed below. Caution: Oversheeting or leaning heavily on aft end of boom can bend the boom or the Yacht Rod™. The main halyard shackle should be snapped to the outboard boom end, in port, to prevent damage to the Yacht Rod™.

“FOR RACING OR CRUISING”

FEATURES:

- Eliminates need for boom topping lift
- Supports boom in light air, when reefing and lowering mainsail
- No gas spring to lose its charge
- Faster than hydraulics – No messy hydraulics to leak
- More efficient than conventional tackles
- Tubing is white coated anodized 6061-T6 aluminum and electropolished 316 stainless steel
- Precision machined 6061-T6 aluminum clevis ends, sheaves and Nylatron® bearings
- Precipitation hardened stainless steel spring with fast-pin adjustment — rated for over 1 million compressions.



Note of Caution: Furling booms weigh as much as 3 times the weight of standard booms. Standard vang spring will not support their weight.

Model Specs	YR-M	YR-L	YR-XL
Stroke	7"	11-1/2"	11-1/2"
Adjustable Length			
Pin to Pin (min.)	58 1/2"	66 1/2"	79 1/2"
Pin to Pin (max.)	70 1/2"	80"	93"
Adjustable Distance	12"	13-1/2"	13-1/2"
Pin Size	1/2"	5/8"	5/8"
Jaw Width	3/8"	11/16"	11/16"
Weight	9.8 lbs	17 lbs	19 lbs
Max. Return Force	600 lbs	1450 lbs	1450 lbs

YACHT ROD™ MAST & BOOM FITTINGS



YR-M Boom Fitting

YR-L & XLG Boom Fitting

Part No.	Model No./Description:
352003	Boom fitting for YR-M
352103	Boom fitting for YR-L & YR-XL
352005	Mast fitting for YR-M
352104	Mast fitting for YR-L & YR-XL
352007	Harken 8:1 Tackle YR-M
352130	Harken 8:1 Tackle YR-L
352131	Harken 8:1 Tackle YR-XL

YACHT ROD™ - w/o HARDWARE

Model No./Description:	Part No.
YR Medium Yacht Rod for boats 34-40'	352000
YR Large Yacht Rod for boats 41-45'	352100
YR X-Large Yacht Rod for boats 46-55'	352101

COMPLETE YACHT ROD™ PACKAGES

YR-MEDIUM - COMPLETE SYSTEM

Part No.	Package	Max. LOA	Includes
352050	1	40	YR-M Vang YR-M Boom Fitting YR-M Mast Fitting Harken Blocks & Tackle

YR-LARGE - COMPLETE SYSTEM

Part No.	Package	Max. LOA	Includes
352160	2	45	YR-LG Vang YR-LG Boom Fitting YR-LG Mast Fitting Harken Blocks & Tackle

YR-EXTRA LARGE - COMPLETE SYSTEM

Part No.	Package	Max. LOA	Includes
352165	3	55	YR-XLG Vang YR-XLG Boom Fitting YR-XLG Mast Fitting Harken Blocks & Tackle



FOR ONLINE TECH TIP ABOUT BOOM VANGS GO TO:

www.forespar.com/techtips

MAST LIGHTS

Forespar® offers two mast light systems. Model ML-1 deck light is designed primarily for installation on the mast just below the spreaders. Model ML-2 is a combination deck-bow light with separate switching, to be mounted on the forward part of the mast.

ML-1 & ML-2 feature durable molded polymer housing assemblies with adaptable wraparound mounting apron to accommodate virtually any mast curvature. For 12 V systems. Replacement bulbs available from Forespar® or most marine dealers.

SPREADER/DECK LIGHT - ML-1



- Lightweight - Rugged Composite Material
- Adaptable to Mast Radius for Ease in Mounting
- 20W Replaceable Halogen Type Bulb 1.4 amps
- Weighs 4 oz. - Measures 3-5/8" Vertically
- Provided with 6" of Twin-Lead Wire
- New Molded Body
- Available in black finish only

NEW

Available with LED Bulbs

Part No.	Model No.
131000	ML-1
131300	ML-1 LED
132035	Standard Bulb
132009	Replacement bottom ring (Twist lock)

COMBINATION DECK/BOW LIGHT - ML-2



ML-2 #132000

This top selling light has been completely retooled for easy bulb replacement and brighter deck illumination using a new prismatic reflector.

- New molded black finish body
- Meets Coast Guard Requirements for Yachts Up to 65' LOA*
- Separate Switching
- 10 Watt Bow Light Bulb Is Easily Replaceable (WN-211) .8 amps
- Deck Light Features Identical to ML-1
- Provided with 6" of Triple-Lead Wire
- Weighs 7 oz. - Measures 5-3/4" Vertically

Part No.	Model No.
132000	ML-2
132300	ML-2 LED
132025	WN-211 Top Bulb
132200	Stainless Steel Chafe Guard
132041	Complete top clear lens

*Copy of certification report available upon request from Forespar®.

LED Replacement Bulbs

Part No.	Model No.
132325	ML-2 Top bulb-LED
132335	ML-1 & 2 Bottom bulb-LED

For All Replacement Parts - See Page 51

STAINLESS STEEL LIGHT GUARD



Stainless Steel Light Guard protects mast lights and other mast fittings from line snagging

Part No.	Model No.
132200	Stainless Steel Chafe Guard



Works with Aqua Signal #254047-7 Combo Light

LIGHTNING MASTER™

Lightning Master™ Static Dissipaters lower the exposure to a direct lightning strike by controlling the conditions which trigger direct strikes. It reduces the build-up of static ground charge and retards the formation of the ion "streamers" that complete the path for a lightning strike.

This is the same technology successfully employed to protect commercial broadcast and television towers. This lightweight (5.2 oz.) 21" long dissipater mounts to the masthead and extends vertically above all other mast equipment.

We do not claim that this product is 100% effective in preventing a lightning strike. Our collective level of understanding of the lightning phenomenon, no one can make product does control the causes of lightning strikes and thereby reduces the incidence of strikes.

Part No.	Description
151100	Lightning Master™ Static Dissipater



Lightning Master™ is the trade mark of the Lightning Master Corporation whose products are protected by U.S. patent.

Works Well on Power Boats Too!

SHACKLE GUARDS

Place a protective buffer between the spinnaker pole ends and your after-guy shackle. Made of high-strength polyethylene, these tough polymer guards are UV inhibited for long life. Shackle Guards can also be used on lifelines to skirt genoas.

Sold Individually



Part No.	Model No.	Size	Part No.	Model No.	Size	Part No.	Model No.	Size
300006	SG-1 White	2-1/4" Dia. X 3/8" ID	300085	SG-1 Red	2-1/4" Dia. X 3/8" ID	300090	SG-1 Green	2-1/4" Dia. X 3/8" ID
300007	SG-2 White	2-1/4" Dia. X 1/2" ID	300086	SG-2 Red	2-1/4" Dia. X 1/2" ID	300091	SG-2 Green	2-1/4" Dia. X 1/2" ID
300008	SG-3 White	3" Dia. X 1/2" ID	300087	SG-3 Red	3" Dia. X 1/2" ID	300092	SG-3 Green	3" Dia. X 1/2" ID
300009	SG-4 White	3" Dia. X 5/8" ID	300088	SG-4 Red	3" Dia. X 5/8" ID	300093	SG-4 Green	3" Dia. X 5/8" ID
300010	SG-5 White	3" Dia. X 3/4" ID	300089	SG-5 Red	3" Dia. X 3/4" ID	300094	SG-5 Green	3" Dia. X 3/4" ID

SAIL SAVER™

JIB ROLLER - SR-2

Jib rollers for wire sizes 3/16" to 3/8". Extend the life of your genoa by reducing chafe on the spreader tips.

Jib rollers can also be used on lifelines for helping pass foot of jib over stanchions.

Sold in Pairs

Part No.	Model No.	Wire Size
210003	SR-2 (pr.)	Accepts wire 3/16" to 3/8"



Photo Courtesy of Morris Yachts & Billy Black

ASSORTED MARELON® CLEATS

Molded from high-strength Marelon®, Forespar's cleats have been used by manufacturers of yachts and power boats all over the world. Their strength, light weight and low cost have contributed to their increased use in the marine industry. The use of Marelon® allows our cleats to take up the curve of a deck without breaking, while maintaining strength and resisting abrasion — will not soften on hot days or freeze in winter.

3" - 8" CLEATS

Part No.	Model No.	Hole Dia.	Size
941018	MF 761/3	5/32"	3"
941016	MF 762/4	3/16"	4"
941013	MF 763/5	3/16"	5"
941014	MF 764/6.5	1/4"	6.5"
941015	MF 765/8	1/4"	8"



LOW PROFILE 6" CLEAT

Part No.	Model No.	Hole Dia.
941006	MF 766/6	1/4"

EXIT BOX

This line exit box is made for use with the new high-tech rope fibers. Suitable for carbon fiber and ideal for aluminum because there is no metal to metal contact to promote corrosion. Stainless steel molded into a strong Marelon® cheek with no moving parts.

Part No.	Model
030016	Marelon® Exit Box

Flange size: 3-1/4" L X 7/8" W
Cut-out size: 2" X 11/16"
Maximum line size: 1/4"
Uses two 3/16" flat head fasteners.



LINE CHOCKS

Tough Marelon Line Chocks create an convenient, chafe-free line lead to help direct your dock lines as needed.

Part No.	Model No.	Hole Ctrs.	Hole Dia.
950001	MF 755	3-1/2"	3/16"
950000	MF 770	6"	1/4"



TRANSOM HANDLE

Tough Marelon Transom Handle. 6-5/8" (168.27mm) long x 2-9/16" (65.08mm) deep

Part No.	Model
890017	Marelon® Transom Handle



TELESCOPING AWNING POLES



Ideal for boat awnings, our Telescoping Awning Poles are available in four length ranges to accommodate all boat sizes. Featuring our renown internal twist lock mechanism, the poles feature "eye" type end fittings. For larger boats we offer a special Heavy Duty option. Standard size poles have 7/8" and 1" diameter tubing. Heavy Duty poles are 1" and 1-1/8" in diameter.

Part No.	Model No.	Telescopes
503000	TAP 3-6	45" to 71"
504000	TAP 4-8	57" to 96"
505000	TAP 5-10	69" to 120"
506000	TAP 6-12	81" to 144"
505100	TAP 5-10 HD	69" to 120"
506100	TAP 6-12 HD	81" to 144"



TILLER EXTENSIONS

Learn More
forespar.com/tiller

TWIST-LOCK TILLER EXTENSIONS

The industry standards are set by Forespar's complete line of hiking sticks with designs and lengths to satisfy every sailor. Our telescoping models offer a choice of three excellent fastening devices: TFP (Quick-Release); SF (Sta-Fast™); and SL (Speed-Lock) our new composite universal.

A long time favorite of serious sailors around the world, the TFP (Quick-Release) model can be instantly fastened to the tiller by simply depressing the plunger and inserting the detent pin into the special tubular fitting supplied. Again, an easy push on the plunger and the hiking stick is released from the tiller. Stow it or take it home with you. It's fast, simple and secure.



THE ULTIMATE RACER'S CHOICE.

TILLER CLIPS

Exceptional strength tiller clips molded out of Marelon®



New composite cam locks give our time tested twist lock tiller extensions a crisp, positive bite while freely unlocking with a quick turn of the wrist.

Part No.	Model No.	Telescopes	Tube Dia.
104016	TFP-S	19" to 32"	3/4" - 5/8"
104017	TFP-M	27" to 48"	3/4" - 5/8"
105110	STX 30"	Fixed	3/4"
105120	STX 36"	Fixed	3/4"
108100	SF-S	19" to 32"	3/4" - 5/8"
108101	SF-M	27" to 48"	3/4" - 5/8"

Part No.	Model No.	Size
941020	MF-671	3/4" Tubing Clip
941021	MF-672	7/8" Tubing Clip
941022	MF-673	1" Tubing Clip
941023	MF-674	1-1/8" Tubing Clip



"BIG STICK" CARBON FIBER TILLER EXTENSIONS

Our rugged, light weight tiller extensions are built to stand the test of time on any go fast dinghy or keel boat. They are simple yet elegant. Nothing to go wrong. 7/8" diameter shaft for a solid grip for either men or women. NO Frills, just an extension! Black only.

Part No.	Model No.	Length
102214	Big Stick Carbon	30"
102215	Big Stick Carbon	36"
102217	Big Stick Carbon	48"
102216	Big Stick Carbon	72"

All straight tubes so that they can be modified by each sailor to tailor fit his/her boat. Simply cut the tube to length on the outboard end. All come with our proven "speed lock" design (see page 21) for quick mount/dismount and easy replacement if necessary. The extensions are shipped loose for custom lengths to suit your class requirements.

THE BALL END & GOLF GRIP SWIVEL STICK

Forespar's economical fixed length tiller extension is now a better value. Featuring our removable Speed Lock (SL) rubber universal end fitting mounted on rugged 5/8" dia. black anodized aluminum tubing with rubber Ball End or Golf Grip style handle. For the small boat (up to 22' maximum) sailor. Available in four of the most popular lengths: 18", 24", 30" & 36".

BALL END

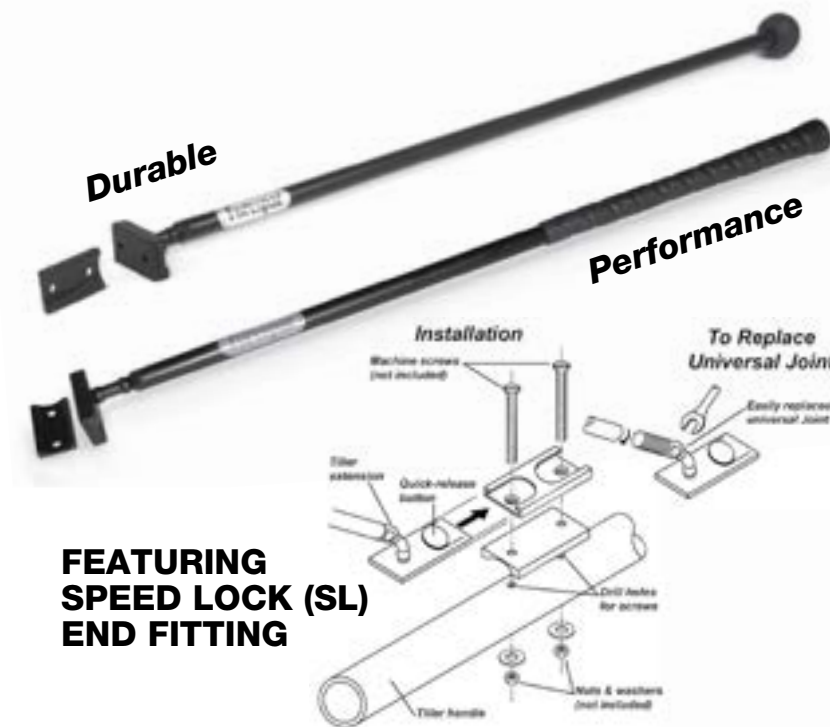
Part No.	Model No.	Length
102000	SW-18	18 in.
102001	SW-24	24 in.
102002	SW-30	30 in.
102003	SW-36	36 in.
102117	Replacement Speedlock Universal	
102119	Curved Base	
102120	Speedlock Base	

Tube Diameters 5/8"
(Uses Tiller Clip Part # 941020)

GOLF GRIP

Part No.	Model No.	Length
102008	SWG-18	18 in.
102004	SWG-24	24 in.
102005	SWG-30	30 in.
102006	SWG-36	36 in.
102117	Replacement Speedlock Universal	
102119	Curved Base	
102120	Speedlock Base	

Tube Diameters 5/8"

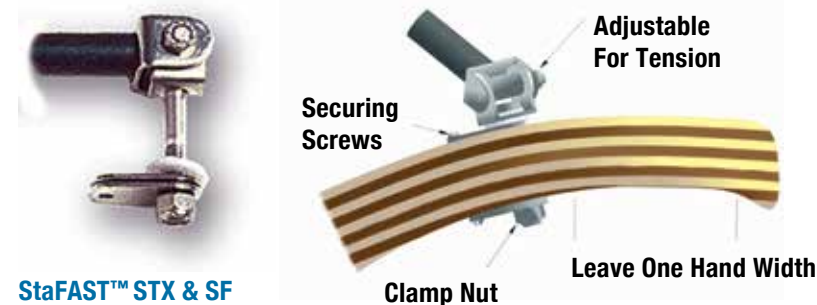


FEATURING SPEED LOCK (SL) END FITTING

END FITTINGS

StaFAST™ END FITTING (SF)

Patented design holds the tiller extension exactly where you leave it. No more sliding down out of reach (not sold separately). 5/16" X 2-1/2" bolt



Not Sold Separately

TILLER LOCK BOX — TLB

This inexpensive product turns any boat with a ball-grip Forespar® tiller extension into a boat with a simple, effective and adjustable tiller lock. Install one into your cockpit coaming and you have it in minutes!

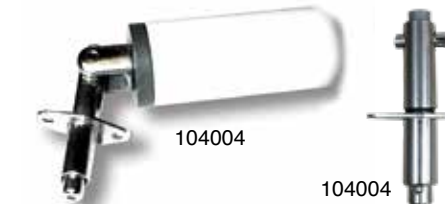
Cut-out Dimensions :
3-3/8"w X 4-3/4"h X 1-1/2"d.

Part No.	Model No.
100000	TLB

Locks Your Boat On Course!



TFP QUICK RELEASE



Part No.	Description
104004	TFP Assembly Complete With Socket
104006	TFP Socket (receptacle only - not pictured)

SAFETY PRODUCTS

Learn More
forespar.com/safety

OVERBOARD GEAR NEEDS TO BE DEPLOYED QUICKLY...



... Because, at only 3 knots ...

... the person will be 50 feet away in 10 seconds, and ...

... in waves, the person will lose sight of the horseshoe buoy without an overboard pole!!

Our Man Overboard Poles are approved by both I.S.A.F. and Transpac Y.C. for offshore racing. These poles are constructed of the finest materials and reflect modern design and quality workmanship. The strong fiberglass shafts feature a highly visible yellow coating. The red and yellow flags are made of long lasting Dacron with a batten sewn in place to hold the flag in an open position. Now includes reflective tape to aid in night location.

We also use a special bright orange float which is made of a high impact, polyethylene jacket filled with closed-cell polyurethane foam. The float is slotted on the OP 120/150 model so it easily fits close to the backstay or life lines.

All poles are two-piece and feature a unique top shaft that can be custom sized by the user resulting in an overall pole length ranging from 11.5 to 15 ft. An epoxy kit is provided with each unit and no cutting is necessary. Simply telescope the top shaft to length desired and epoxy in place. A non-corrosive joining sleeve is standard to allow disassembly of the top shaft from the float for easy storage. The flag is included with Overboard Poles. Outside diameter of float is 4.25 inches.

OVERBOARD POLES - OP-120



DIMENSIONS

Part No.	Model No.	Overall Length		Butt to Top of Float	Weight	Top Half	
		Minimum	Maximum			Minimum	Maximum
202018	OP-120	142 in.	176 -1/2 in.	64 in.	8 lbs.	78 in.	112-1/2 in.
202020	Top Pole Complete with Flag						
202026	Replacement Flag						

FLAG TUBE OP-FT

To secure the flag on the overboard pole to the backstay or along the lifeline, our polyvinyl flag tube is superior to fabric flag-boots. Offering longer life and a faster release of overboard pole. Comes complete with fasteners and simple instructions. Maximum wire size = 3/8 in.



Part No.	Model No.
202013	OP-FT

OVERBOARD POLE HOLDER - 300-M

The Railfast® overboard pole holder holds the base of the pole. Easily mounted to the stern rail, close to the horseshoe bracket, it helps provide a complete safety system—with all man-overboard items located in close proximity for speedy deployment when time is of the essence. This unit is made of stainless steel and corrosion proof nylon, and comes with all mounting hardware.



Part No.	Model No.
156003	300-M-1" Rail
156023	300-M-1-1/4" Rail



U.S.C.G. Approval
#161.010/20/0

FLOATING LED STROBE WATER LIGHT- WL-1

Built to meet Code of Federal Regulations sub part 161.010; this rugged water light automatically produces a brilliant 360 degrees LED strobe flash when thrown overboard. Visible for miles, it has been tested to flash for over 1000 hours using a 6 volt alkaline lantern battery (not included). This far exceed the 55 hour U.S.C.G. required minimum flash time rate (meets U.S.C.G. requirements—46 CFR-161.010).

A stainless steel mounting bracket is included. Dimensions are 11-1/2" long, and 4" maximum diameter, 1.85 lbs.

NEW LED FLASH
Tested To Over 1000 Hours
Over 3 Million Flashes Per Battery!

Part No.	Model No.
205102	WL-1 - LED
205130	Replacement Strobe
205113	Bracket Only
202151	Battery

6 Volt - Spring Post
Alkaline Battery Not Included

STA-PLUG®

Sta-Plug® instantly controls incoming water by automatically conforming to fill the shape of a hole. Whether it's from hull damage, hose failure, corroded thru-hulls or any other source, Sta-Plug's® soft cone-shape fills the gap. Its unique edge gripping riblets also help hold it in place, giving you precious time in an emergency.

- More Versatile Than Wooden Plugs
- Easy to Use - Hand Compresses
- Works Up To 10' Below Waterline

Part No.	Model No.
150110	Sta-Plug

NEW
Sta-Plug Mini!
Keep One On
Your Boat Keys



Part No.	Model No.
150112-O	Sta-Plug Mini - Orange
150112-G	Sta-Plug Mini - Safety Green



HOYT JIB BOOM™

Perfect Wing & Wing Trim of Your 100% Self-Tacking Jib

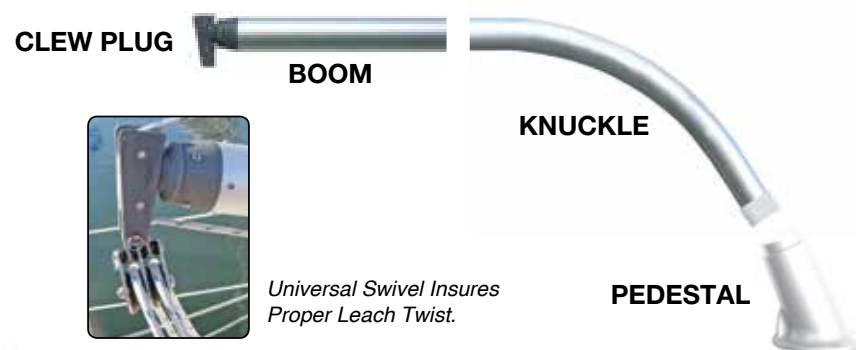
As your boat bears off downwind, and the sheets are eased, the Hoyt Jib Boom™ maintains precise control of the jib's leach. This results in remarkable performance improvement and ease of handling.

Sail More Easily & Efficiently

Proven on Over 1,000 Boats and Trans-Oceanic Passages

- Self Tacking Upwind
- Self Vanging Downwind
- White Powder Coated Base
- Up and Downwind Jib Control Based on a Simple & Effective Principle
- Leach Twist Perfectly Trimmed Downwind

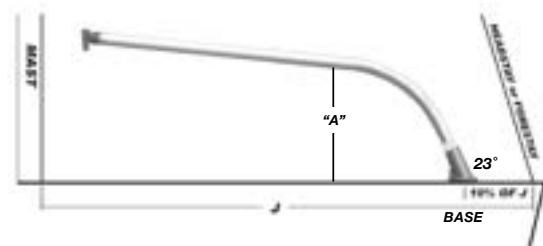
"The Hoyt Jib Boom™ is one of the best cruising innovations I have seen or used".
Ken Read • Vice Pres. North Sails



Universal Swivel Insures Proper Leach Twist.

The typical base placement (center of the pedestal base) is 10% aft of the headstay. This is not a critical location, but rather a "Rule of Thumb". Various obstacles can obstruct the pedestal base position.

All knuckles are bent to 57 degrees. All pedestals are set at 23 degrees. All angles are calculated on a perfectly flat and level deck. Wedges will be required on many installations to make up for deck camber. A universal black molded urethane wedge which can be cut to fit is available from Forespar®



HOYT JIB BOOM MODELS

Part#	Model No.	Tube Dia	Weight	Knuckle Length	Boom Tube Length	Suggested Maximum J	Yacht LOA	Base Dia	"A"
313101	250	2.5" OD	16lbs	2.25"	6'	10'	25' - 29'	7"	14"
313102	300	3.0" OD	24lbs	2.50"	11'	13'	30' - 35'	7-3/4"	17"
313103	350	3.5" OD	37lbs	2.75"	13'	17'	35' - 42'	8-3/4"	21"
313155	Universal Wedge (SOLD IN PAIRS)								

ROLL-X FLOPPER STOPPER

Removable Anchorage Stabilizer

The Roll-X Flopper Stopper limits the rocking and rolling of a rough anchorage. Exclusive baffle design provides superior stability.

- Can be Quickly Deployed and Removed
- Stainless Steel and Aluminum Construction
- Professional Installation Recommended



Part #	Boat Length
305301	Roll-X Stabilizer
305302	3" x 11'2" Pole Kit for Boats to 40'
305303	3 1/2" x 14' Pole Kit for Boats to 55'
305304	NEW Roll-X Storage Bag

MULTIHULL SPRIT KIT



Articulating Sprit Adds Downwind Sail Functionality to Multihulls. This sprit kit can be fitted to most multihulls to allow for use of reaching spinnakers and drifter sails.

- Increases Downwind Performance
- Can be used with Continuous Line Furling Systems
- Professional Installation Recommended

Part #	Boat Length
305003	3" x 4' for 25-35 foot boats 25'-23'
305004	3-1/2" x 5' for 36-42 foot boats 36' to 42'
305005	4" x 6' for 43-50 foot boats 43' to 50'

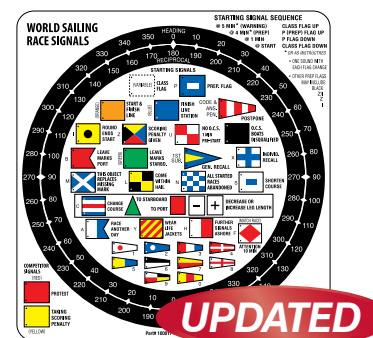
MARINE LABELS

Helps Prevent Crew Snafus!

These popular label sets are great for any racer or cruiser. Add safety and organization to your above and below deck systems. Remember, not everyone on board knows your boat as well as you do. All labels are self-adhesive, vinyl plastic, waterproof and won't fade. Perfect for flat, round or irregular surfaces of metal, fiberglass or paint.

SAILBOAT LABELS	100016	100010	100011	100013	100024																																																																																																																																							
<table border="1"> <tr><td>FOREGUY</td><td>MAIN HALYARD</td><td>BOOM LIFT</td></tr> <tr><td></td><td>JIB HALYARD</td><td></td></tr> <tr><td></td><td>STAYSAIL HAL'YD</td><td></td></tr> <tr><td></td><td>SPINNAKER HAL'YD</td><td></td></tr> <tr><td>OUTHAUL</td><td>TOPPING LIFT</td><td>DOWNHAUL</td></tr> <tr><td></td><td>CUNNINGHAM</td><td></td></tr> <tr><td></td><td>BOOM VANG</td><td></td></tr> <tr><td></td><td>MAIN SHEET</td><td></td></tr> </table>	FOREGUY	MAIN HALYARD	BOOM LIFT		JIB HALYARD			STAYSAIL HAL'YD			SPINNAKER HAL'YD		OUTHAUL	TOPPING LIFT	DOWNHAUL		CUNNINGHAM			BOOM VANG			MAIN SHEET		<table border="1"> <tr><td>TRAVELER</td><td>TACK REEF</td><td>JIB SHEET</td></tr> <tr><td></td><td>CLEW REEF</td><td></td></tr> <tr><td></td><td>JIB WIRE</td><td></td></tr> <tr><td></td><td>JIB CLOTH</td><td></td></tr> <tr><td>TRAVELER</td><td>JIB FURLER</td><td>JIB SHEET</td></tr> <tr><td></td><td>CENTERBOARD</td><td></td></tr> <tr><td></td><td>BARBER HAUL</td><td></td></tr> <tr><td></td><td>BARBER HAUL</td><td></td></tr> </table>	TRAVELER	TACK REEF	JIB SHEET		CLEW REEF			JIB WIRE			JIB CLOTH		TRAVELER	JIB FURLER	JIB SHEET		CENTERBOARD			BARBER HAUL			BARBER HAUL		<table border="1"> <tr><td>1</td><td>1</td></tr> <tr><td>2</td><td>2</td></tr> <tr><td>3</td><td>3</td></tr> <tr><td>4</td><td>4</td></tr> <tr><td>5</td><td>5</td></tr> <tr><td>6</td><td>6</td></tr> <tr><td>7</td><td>7</td></tr> <tr><td>8</td><td>8</td></tr> <tr><td>9</td><td>9</td></tr> <tr><td>10</td><td>10</td></tr> <tr><td>11</td><td>11</td></tr> <tr><td>12</td><td>12</td></tr> <tr><td>13</td><td>13</td></tr> <tr><td>14</td><td>14</td></tr> </table>	1	1	2	2	3	3	4	4	5	5	6	6	7	7	8	8	9	9	10	10	11	11	12	12	13	13	14	14	<table border="1"> <tr><td>10"</td></tr> <tr><td>9"</td></tr> <tr><td>8"</td></tr> <tr><td>7"</td></tr> <tr><td>6"</td></tr> <tr><td>5"</td></tr> <tr><td>4"</td></tr> <tr><td>3"</td></tr> <tr><td>2"</td></tr> <tr><td>1"</td></tr> <tr><td>0"</td></tr> </table>	10"	9"	8"	7"	6"	5"	4"	3"	2"	1"	0"	<table border="1"> <tr><td>RUNNING BACK</td><td>BABYSTAY</td><td>FORESTAY</td></tr> <tr><td></td><td>#2 JIB HALYARD</td><td></td></tr> <tr><td></td><td>#2 SPINN. HAL'YD</td><td></td></tr> <tr><td></td><td>#2 CLEW REEF</td><td></td></tr> <tr><td>RUNNING BACK</td><td>SLAB REEF</td><td>BACKSTAY</td></tr> <tr><td></td><td>SHOOTER SHEET</td><td></td></tr> <tr><td></td><td>BUTT LIFT</td><td></td></tr> <tr><td></td><td>BUTT DOWNHAUL</td><td></td></tr> </table>	RUNNING BACK	BABYSTAY	FORESTAY		#2 JIB HALYARD			#2 SPINN. HAL'YD			#2 CLEW REEF		RUNNING BACK	SLAB REEF	BACKSTAY		SHOOTER SHEET			BUTT LIFT			BUTT DOWNHAUL		<table border="1"> <tr><td>STAYSAIL FURL</td><td>#1 TACK REEF</td><td>MAIN HALYARD</td></tr> <tr><td></td><td>#2 TACK REEF</td><td></td></tr> <tr><td></td><td>#3 TACK REEF</td><td></td></tr> <tr><td></td><td>#1 CLEW REEF</td><td></td></tr> <tr><td>JIB FURLER</td><td>#2 CLEW REEF</td><td>MAIN SHEET</td></tr> <tr><td></td><td>#3 CLEW REEF</td><td></td></tr> <tr><td></td><td>STAYS'L SHEET</td><td></td></tr> <tr><td></td><td>STAYS'L SHEET</td><td></td></tr> </table>	STAYSAIL FURL	#1 TACK REEF	MAIN HALYARD		#2 TACK REEF			#3 TACK REEF			#1 CLEW REEF		JIB FURLER	#2 CLEW REEF	MAIN SHEET		#3 CLEW REEF			STAYS'L SHEET			STAYS'L SHEET	
FOREGUY	MAIN HALYARD	BOOM LIFT																																																																																																																																										
	JIB HALYARD																																																																																																																																											
	STAYSAIL HAL'YD																																																																																																																																											
	SPINNAKER HAL'YD																																																																																																																																											
OUTHAUL	TOPPING LIFT	DOWNHAUL																																																																																																																																										
	CUNNINGHAM																																																																																																																																											
	BOOM VANG																																																																																																																																											
	MAIN SHEET																																																																																																																																											
TRAVELER	TACK REEF	JIB SHEET																																																																																																																																										
	CLEW REEF																																																																																																																																											
	JIB WIRE																																																																																																																																											
	JIB CLOTH																																																																																																																																											
TRAVELER	JIB FURLER	JIB SHEET																																																																																																																																										
	CENTERBOARD																																																																																																																																											
	BARBER HAUL																																																																																																																																											
	BARBER HAUL																																																																																																																																											
1	1																																																																																																																																											
2	2																																																																																																																																											
3	3																																																																																																																																											
4	4																																																																																																																																											
5	5																																																																																																																																											
6	6																																																																																																																																											
7	7																																																																																																																																											
8	8																																																																																																																																											
9	9																																																																																																																																											
10	10																																																																																																																																											
11	11																																																																																																																																											
12	12																																																																																																																																											
13	13																																																																																																																																											
14	14																																																																																																																																											
10"																																																																																																																																												
9"																																																																																																																																												
8"																																																																																																																																												
7"																																																																																																																																												
6"																																																																																																																																												
5"																																																																																																																																												
4"																																																																																																																																												
3"																																																																																																																																												
2"																																																																																																																																												
1"																																																																																																																																												
0"																																																																																																																																												
RUNNING BACK	BABYSTAY	FORESTAY																																																																																																																																										
	#2 JIB HALYARD																																																																																																																																											
	#2 SPINN. HAL'YD																																																																																																																																											
	#2 CLEW REEF																																																																																																																																											
RUNNING BACK	SLAB REEF	BACKSTAY																																																																																																																																										
	SHOOTER SHEET																																																																																																																																											
	BUTT LIFT																																																																																																																																											
	BUTT DOWNHAUL																																																																																																																																											
STAYSAIL FURL	#1 TACK REEF	MAIN HALYARD																																																																																																																																										
	#2 TACK REEF																																																																																																																																											
	#3 TACK REEF																																																																																																																																											
	#1 CLEW REEF																																																																																																																																											
JIB FURLER	#2 CLEW REEF	MAIN SHEET																																																																																																																																										
	#3 CLEW REEF																																																																																																																																											
	STAYS'L SHEET																																																																																																																																											
	STAYS'L SHEET																																																																																																																																											

100017



UPDATED

Part No.	Model
100010	Track numbers
100011	One 0"-10" scale
100013	Spar labels
100014	Cleat and winch labels
100016	Control lines
100017	Racing flag signals
100024	Stoppers Labels



MARELON® WINCH

Molded of Marelon® for exceptional strength, this lightweight winch will easily handle up to 200 square feet of sail. This little winch is ideal for use on the modern trailer-sailor or the small racer. On larger boats it is great for out-hauls and other control lines with relatively low loads. Weighing in at less than one pound you will find many uses for this tough little winch. Use four 1/4" fasteners (not included).

- Product Of Ultra Light Composite Technology
- For Up To 200 Sq. Ft. Of Sail
- Only Weighs .86 Lbs.
- All Marelon® Construction
- No Corrosion
- Accepts Standard Star Drive Winch Handle
- 8:1 Power Ratio When Used With A 10" Handle
- 6:1 Power Ratio When Used With An 8" Handle

DIMENSIONS

Height: 3-3/8", Base diameter: 3-5/8"
Top diameter: 3-1/4", Drum diameter: 2-7/16"
Four 1/4" fastener holes in 1-7/8" square pattern



Part No.	Description	Model No.
960003	Marelon® Winch	MW-6

STEERING CONTROL ARM

Our new Steering Control Arm allows you make minor course adjustments without being directly in touch with your wheel. The tiller like system can be quickly attached or removed with push of a button.

- Greater Forward Visibility
- Easy Course Corrections Autopilot's Can't Perform
- Great for Relaxation While Maintaining Control

Part No.	Description
104018	Steering Control Arm



RAILFAST® HARDWARE

ATTACH ACCESSORIES TO SIDE RAILS TO SAVE VALUABLE DECK SPACE!

Railfast Hardware allows you attach a wide variety of accessories to your round side rails. Great for sail or powerboats, your imagination is the only limit to how you can use Railfast Attachments. Fish cleaning boards, stoves, flag poles, GPS receivers, fenders, solar panels can now all be securely mounted to your rail without drilling.

The patented Railfast® mounting system offers an attractive, yet functional method for mounting gear to a boat railing. All Railfast® system parts are corrosion-proof nylon or stainless steel. An assembly tool and all necessary hardware included.

DO IT YOURSELF!

The number of uses for the Railfast® mount is as unlimited as your own imagination! Assemblies are available that make it easy for you to create your own device to mount almost anything to your railing.

MOUNTING BOSS

The Railfast® mounting boss consists of the rail clamp assembly and a cover piece with a flat surface, all secured by a single bolt. Mount fender baskets, running lights, solar panels, barbecues, etc.



NO HOLES TO DRILL!!

This exploded diagram shows the components and demonstrates the ingenious simplicity of the system. It installs in minutes on any 7/8", 1" or 1-1/4" rail and requires no drilling.

Part No.	Model No.
156011	300-1" Rail
156031	300-1-1/4" Rail

MOUNTING FLANGE Great for Solar Panels

Railfast® mounting flange-350 provides a flat, 4-hole mounting surface that can be adapted to a variety of uses. Mount cutting tables, outboard brackets etc.



Part No.	Model No.
156012	350-1" Rail
156032	350-1-1/4" Rail

FLAG POLE SOCKET

Railfast® assembly and flag pole holder make installing flag poles a breeze. The holder can mount at any angle on a horizontal bow or stern rail and will accommodate flag poles with 1" base diameters. A set screw holds flag pole in place.



Part No.	Model No.
156006	324-FPH-1" Rail
156026	324-FPH-1-1/4" Rail

RAILFAST® ANTENNA MOUNTS

Railfast® is a great way to install your antennas. It mounts quickly to 7/8", 1" or 1-1/4" railings, horizontally, vertically, or at any angle, providing a professional and secure mounting for standard VHF, CB, and Loran antennas up to 8' in length. A special internal feed-through channel accommodates Loran cable that is routed directly out the bottom of the coupler.

NYLON ANTENNA MOUNT

Ideal for permanent fixed installation of antennas.



Part No.	Model No.
156009	311-N-1" Rail
156029	311-N-1-1/4" Rail

NYLON ANTENNA MOUNT WITH HANDLE

Molded with a fiberglass additive for superior strength. Laydown handle for passing under bridges storage or trailering.



Part No.	Model No.
156008	311-NLH-1" Rail
156028	311-NLH-1-1/4" Rail

UTILITY HOLDER

The Railfast® ring mounting bracket has a variety of uses including life rings, power cables, line or other accessories. Use in pairs to hold larger objects



Part No.	Model No.
156000	300-R-1" Rail
156020	300-R-1-1/4" Rail



HORSESHOE HOLDER

The Railfast® horseshoe mounting bracket is a must for any sailboat. Electro-polished stainless steel it is bent precisely to hold a standard horseshoe buoy securely without the need of a retaining strap.



Part No.	Model No.
156001	300-H-1" Rail
156021	300-H-1-1/4" Rail

MOTOR MATE™

Features heavy duty anodized aluminum, powder coated white for added corrosion resistance. The unit stores in its own 31" X 6" bag. Comes with tackle and will lift anything from the dinghy to the cockpit (or vice-versa) up to 100 lbs. Great for the dinghy motor, but also good for SCUBA tanks, ice, duffel bags, groceries, etc.

The Motor Mate™ uses a Railfast® mounted ring on the rail and a "toe" on the cockpit coaming directly under the rail.

- Light-Weight, Portable, Compact
- Ideal for Lifting Outboard Motors, Sea Bags, SCUBA Gear
- Lifting Capacity: 100 lbs. (the weight, approximately, of a 15 hp. outboard)
- Works Great for Both Power Boats & Sailboats

Part No.	Description
153100	Motor Mate™
153104	Base Mount *
153105	Rail Mount *
153130	Cam Cleat Bracket
153109	Vinyl Bag *

*Included with MOTOR MATE™

Boom Length: 20"
Assembled Height: 54"
Weight: 12 lbs.



FOR ONLINE HOW-TO INSTALLATION VIDEOS AND OTHER RAILFAST ACCESSORIES GO TO: www.forespar.com/railfast

TECH TIPS



Photo Courtesy of Broad Reach Marketing

NOVA DAVIT™

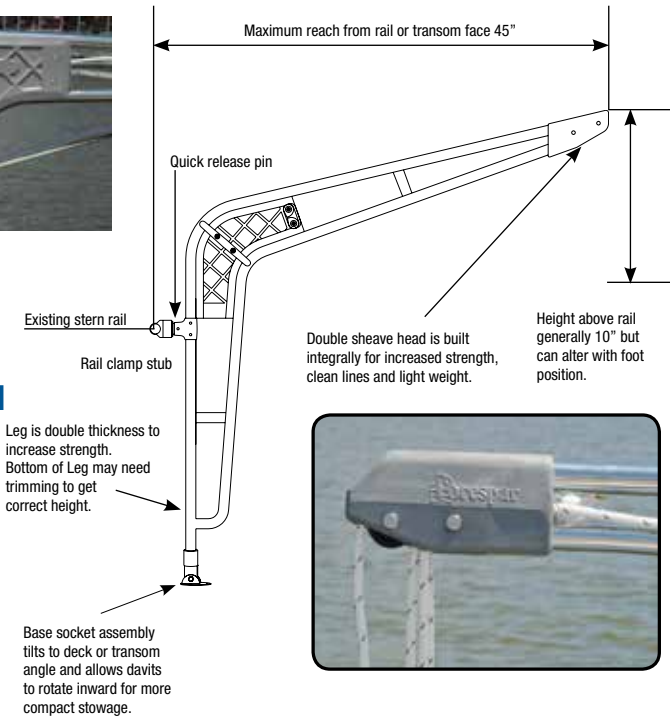
The Nova Davit™ system represents the "State of the Art" for styling and function. Versatile mounting designs assure a perfect fit with an offshore strength standard. Like all Nova products, a very high standard of finish will make the right statement about your boat. The neat folding feature stows the davit system flush with your boat's stern. The maximum safe working load is 350 lbs. per pair (175 lbs. per arm).



350 lbs. Safe Working Load Per Pair



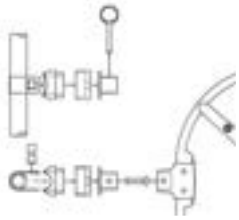
Fits Rails from 23" to 32" High



Light Weight, Strong 316 Stainless Steel

Nova Davit™ Conveniently folds inwards to maintain boat slip length or remove them completely for stowage or racing.

Part No.	Model No.
153302	Nova Davit™
153447	Optional 1-1/4 Rail Mount Kit



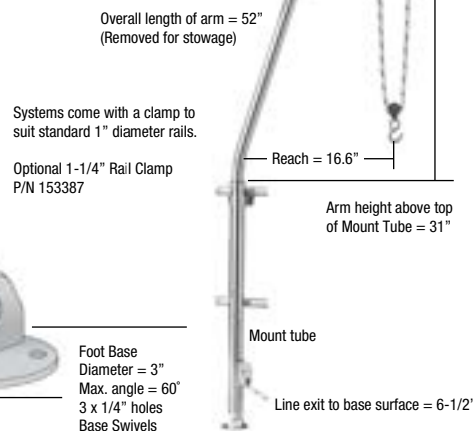
NOVA LIFT™

Our Nova products combine elegant styling with superb strength and function. The Patented Nova Lifts use internally led purchase to keep the lifting arm centered over the load. Other brands swing left and right without control. Another valuable feature is the internal lead to your cockpit winch where you have loads of lifting power to make the job easy! No external block & tackle.

Nova Lift™ comes with a stainless steel lower mounting tube that will accommodate 30" height rails. Vessels with rails higher than 30" will require the use of a deck pad (not included) to raise the installation to the proper height.

The Nova Lift™ with winch is ideal for trawlers and motor yachts where sailboat winches are not available.

Part No.	Description
153311	Nova Lift™
153312	Nova Lift™ With Winch
153308	Outboard Motor Sling
153387	1-1/4" Rail Adaptor
153318	2-5" Optional Stand Off Bracket



Stand Off Bracket

220 lbs. Maximum Load

Learn More
forespar.com/davits



Nova Lift™



Nova Lift™ With Winch

QUIK DAVIT™

A hinged type davit system, Quik Davit quickly connects a dinghy to the back edge of almost any swim platform, allowing it to be tipped up and out of the water for easy storage without towing. The user simply snaps the pieces together to create a hinge that allows the dinghy to be pulled up onto the swim platform or transom. To release the dinghy you simply push it into the water and pull back the spring loaded easy grip release handles to unlock the connection.



NEW

- Safer And More Stable Dinghy Entry And Exit Point
- Solid 316 Stainless Steel And UV Resistant Composites
- Quickly Removable Davit Heads and Yokes Eliminate Tripping Hazard
- Exclusive Inflatable Adhesive Works On Both Hypalon and PVC Inflatables
- Fully Compatible With Most Weaver® System Heads & Dinghy Pads

Designed for inflatable dinghies up to 200 lbs in total weight (79 kg) and up to 11 feet (3.3 m) in length



Spring Loaded Easy Grip Release Handle

Part No.	Model
153470	Quik Davit Complete Kit (Including Heads, Pads, Adhesive, Fasteners)
153477	Fast Kit - Mounts for Davit Head Quick Removal
153475	Davit Head Kit - Includes 2 Snap Davit Heads and Fasteners
153476	Dinghy Pad Kit - Includes 2 Dinghy Pads
153492	4 oz Universal Adhesive Kit for Inflatables
153478	8 oz Universal Adhesive Kit for Inflatables

Fast Kit for Quick Removal of Davit Heads



#153478

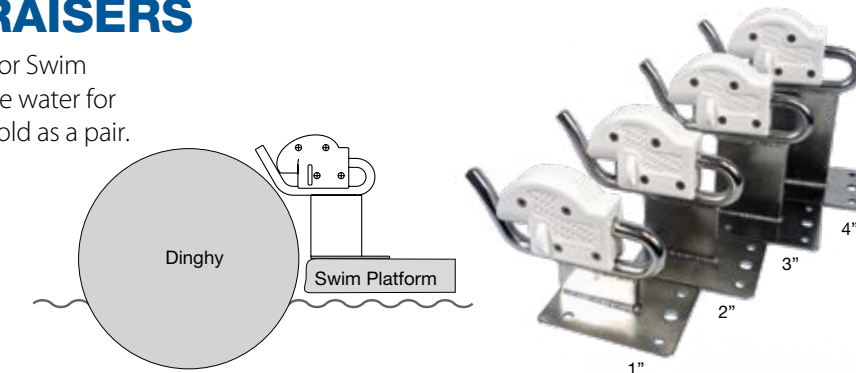


WARNINGS: This product can expose you to chemicals including Toluene which is known to the State of California to cause birth defects or other reproductive harm. For more information, go to www.P65Warnings.ca.gov

QUIK DAVIT™ HEAD RAISERS

Quik Davit heads with raised bases are used for Swim Platforms where the platform is too low to the water for normal hookup. Fits Fast Kit mount system. Sold as a pair.

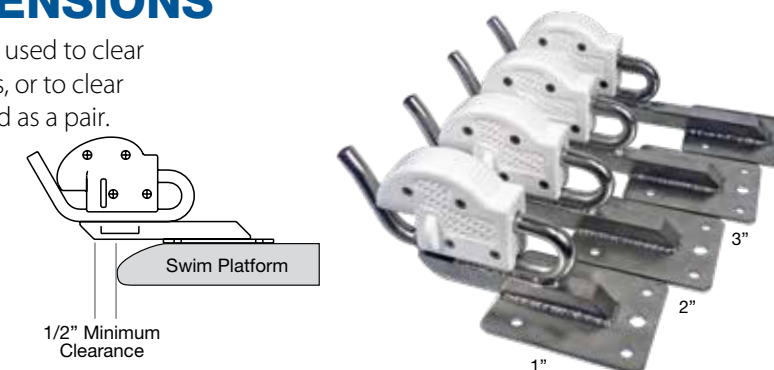
Part No.	Model
153491-R1	Quik Davit Head Raiser - 1"
153491-R2	Quik Davit Head Raiser - 2"
153491-R3	Quik Davit Head Raiser - 3"
153491-R4	Quik Davit Head Raiser - 4"



QUIK DAVIT™ HEAD EXTENSIONS

Quik Davit heads with horizontal extension bases are used to clear curved or irregularly shaped edges of swim platforms, or to clear existing swim ladders. Fits Fast Kit mount system. Sold as a pair.

Part No.	Model
153491-E1	Quik Davit Head Extension - 1"
153491-E2	Quik Davit Head Extension - 2"
153491-E3	Quik Davit Head Extension - 3"
153491-E4	Quik Davit Head Extension - 4"



NOVA DAVIT & NOVA LIFT

QUIK DAVIT

PureWater+®

Exceptionally Clean Tasting Tank Water With A Twist!

If you would like to be able to drink pure, clean tasting water, directly out of your boat's water tanks, our innovative PureWater+ water filtration system is an elegant and easy-to-install solution. Its unique top-loading filter design allows you to simply twist off the faucet head and drop in a new filter. This eliminates unsightly above the sink filter containers, or the need to crawl under the cabinet to replace the filter.

- Simple Filter Change by Twisting Off Faucet Head and Simply Dropping Filter Into Cartridge Without Crawling Under Sink
- On-Demand Ultra-Clean Tasting Water From Your Tank
- Elegantly Styled, Simple to Install Design
- Compact Filter Housing Maximizes Under Sink Storage
- 5 Micron or Ultra Fine .5 Micron Filters



Unique Top Load Twist & Drop Filter Installation

Easy to Install Space Saving Design

Complete System Includes Everything Needed For Installation



Two Filtration Options

5 Micron & .5 Micron Ultra-Fine Filter



5 Micron .5 Micron



Part No	Description
770295	Complete PureWater+ System
770297-1	5 Micron Replacement Filter
770297-2	2-Pk - 5 Micron Replacement Filters
770298-1	0.5 Micron Replacement Filter
770298-2	2-Pk - 0.5 Micron Replacement Filters

Learn More
forespar.com

TEA TREE POWER® DEODORIZERS

Marine Grade Odor Eliminators

Tea Tree Power™ is the all-natural marine grade odor eliminator containing a proprietary blend of 100% Australian Tea Tree Oil and other natural ingredients. Its powerful, yet pleasant smelling vapors, diffuse throughout your cabin and lockers, attacking and eliminating the source of unpleasant odors caused by mold, mildew, and bacteria.

Tea Tree Power® Gel

Slowly evaporates to provide continuous, natural, and long-lasting odor control for up to 3 months. It penetrates deep into porous materials (cushions, carpets, and upholstery) delivering a deep cleaning with enduring odor protection.

Part No	Description
770201	Tea Tree Power 2oz Gel
770202	Tea Tree Power 4oz Gel
770203	Tea Tree Power 8oz Gel
770204	Tea Tree Power 16oz Gel



Tea Tree Power® Spray & Mist

Not a cover-up fragrance, Tea Tree Power Spray starts controlling odors on contact providing continuous, natural, and long-lasting odor control for up to 3 months. It penetrates porous materials (cushions, carpets, and upholstery) delivering a deep cleaning with enduring odor protection.

Part No	Description
770209	Tea Tree Power 2oz Mist
770207	Tea Tree Power 8oz Spray
770273	Tea Tree Power 16oz Spray/Mist Refill

Tea Tree Power® Gel Refills

Not a cover-up fragrance, Tea Tree Power Spray starts controlling odors on contact providing continuous, natural, and long-lasting odor control for up to 3 months. It penetrates porous materials (cushions, carpets, and upholstery) delivering a deep cleaning with enduring odor protection.

Part No	Description
770205	Tea Tree Power Refill - 22oz
770206	Tea Tree Power Refill - 44oz



MARELUBE™ MARINE LUBRICANTS

Learn More
forespar.com/marelube

Marelube™ by Forespar is a family of specifically formulated synthetic lubricants designed for a variety of applications and environments. Each contains PTFE for maximum protection without adhesion. Marelube™, Marelube™ Liquid and Marelube™ Reach for general lubrication including valve and plumbing applications, and Marelube TEF45™ with maximum PTFE for superior corrosion and anti-seize protection in high-load and wet locations.

- Long Lasting PTFE Synthetic Lubrication
- Safe On Rubber, Plastic and Painted Surfaces
- Works Equally Well In Fresh Or Salt Water
- Formulated For Specific Uses For Maximum Effectiveness

MARELUBE™ VALVE



MareLube™ Valve Lubricant

MareLube Valve Lubricant is an advanced lubrication formula designed to keep valve seals and balls working smoothly in marine plumbing systems. It is a clear, non-staining and nontoxic lube that is perfect for traditional bronze fittings, as well as all composite plumbing fixtures like Forespar's Marelon® parts.

Part No	Description
770050	4 oz MareLube Valve Lubricant



MareLube™ REACH Valve Lubricant

Proper lubrication is essential for all your boat's valves. Forespar's New MareLube™ REACH Kit offers an easy way to lubricate those hard-to-reach valves using a pre-loaded syringe of MareLube Valve lubricant and extension tube.

MareLube REACH kit includes: pre-loaded application syringe, extension hose and applicator brush.



Part No	Description
770049	MareLube REACH Kit



MareLube™ Valve Liquid

Liquid MareLube Valve Lubricant is a non-toxic, biodegradable formula that can be conveniently poured directly into your drain system to lubricate your valves and seacocks without disassembly.

Available in an easy-pour 16oz bottle.

Part No	Description
770055	16 oz Liquid MareLube Valve Lubricant



MARELUBE™ TEF45™

MAX
45%
PTFE

MareLube™ TEF 45™ is a highly water-resistant synthetic lubricant grease containing 45% PTFE. This is the highest percentage PTFE available, which makes TEF 45™ perfect for heavy loads and bi-metal anti-corrosion applications like turnbuckles, spar fittings and motor lower units. TEF 45™ also works well at protecting against rust corrosion and anti-seize applications.



MareLube™ TEF45™

MareLube TEF 45 is a long-lasting lubrication paste that is perfect when you need a heavy-duty lubricant that can withstand high-load use in wet locations. Available in either 4oz or 16oz jars.

Part No	Description
770067	4 oz MareLube TEF45
770068	16 oz MareLube TEF45

MareLube™ TEF45™

Pre-Loaded Syringe Packs

Convenient pre-loaded syringe packs work great for those hard-to-reach applications where injection is needed.

Available in 30cc and 6cc sizes

Applicator brush included.



Part No	Description
770065	6cc MareLube TEF45 Syringe Pack
770066	30cc MareLube TEF45 Syringe Pack



MareLube™ TEF45™ Large Quantity Packages

MareLube TEF45 is also available in large quantity packages ranging from the 12 oz caulk tube to the 40 lbs bucket, these high quantity packages are great for large jobs and OEM applications.

Part No	Description
770170	MareLube TEF 45 - 12 oz Caulk Tube
770171	MareLube TEF 45 - 8 lbs Pail
770172	MareLube TEF 45 - 40 lbs Bucket

LANOCOTE®

The Rust & Corrosion Solution

LanoCote works on these five basic principals: displaces water, absorbs corrosion, forms moisture barrier, penetrates and has high lubricity. LanoCote prevents dissimilar metal galvanization. LanoCote is extremely effective in preventing and stopping corrosion on all types of metals under all environmental conditions. Formulated to withstand salt water marine conditions, LanoCote® is particularly useful in preventing thread seizure due to all types of corrosion on boats and machinery.

Applied during assembly, LanoCote will greatly assist in easy dismantling years later. An example would be anchor shackles which are regularly immersed in salt water. LanoCote® also combats galvanization where dissimilar metals are fastened together, such as stainless steel fittings on alloy masts etc.

- Prevents Thread Freeze-up
- Combats Galvanic Reaction of Dissimilar Metals
- Seals Porous Surfaces
- Neutralizes Acids, Alkalies & Salts
- Prevents Corrosion On Electronic Contacts

**Original Formula
New Look!**



Part No.	Model
770001	LanoCote® 4 oz. Jar
770002	LanoCote® 7 oz. Aerosol Spray Can
770003	LanoCote® 16 oz. Jar
770007	LanoCote® 8 oz. Pump Spray Bottle
770035	LanoCote® 16oz. Prop & Bottom

REFRESH™ DEODORIZERS

ReFresh™ is a new family of all natural, environmentally safe cleaners and deodorizers that are specially formulated to work on the toughest odors, attacking the source. Guaranteed to work, each of these modern green products is specifically formulated using naturally biodegradable ingredients to create effective, non-toxic alternatives to traditional chemical based cleaners.

The ReFresh™ family includes three specially formulated, non-diluted products for your most frequent needs including EcoTankPro, specially designed to deodorize and decompose head and tank waste.

- Non-Toxic and Biodegradable
- Naturally Attacks Odor Source
- Not A Cover-Up Fragrance



ReFresh™ Head & Tank Deodorizer

A non-toxic and biodegradable marine head and waste tank treatment that can be directly poured into the system by flushing. It naturally eliminates odor sources for up to 4 months. Safe on bronze or Marelon plumbing systems. One ounce treats a 20-gallon tank.

ReFresh™ Cleanup Concentrate

General-purpose marine grade deodorizer for cleanup or wash-down. It permanently eliminates odors by naturally attacking the source. Removes common boat odors such as bilge, fish, head and vomit, and can be used on almost any surface including fabric. Also works on gas and oil. Non-staining. 16 ounce bottles makes 10 quarts.

Eco-Tank™ Holding Tank Treatment

ECO-Tank Pro holding tank treatment is a totally biodegradable, oxygen bearing bio stimulant. It rapidly stimulates aerobic capacity to eliminate waste, odor, and solid matter and tissue. Very effective, fast acting and well proven in marine heads.

Part No	Description
770064	8 oz ReFresh Atomizer Spray Deodorizer
770063	16 oz ReFresh Head & Tank Deodorizer
770062	16 oz ReFresh Cleanup Concentrate
770350	EcoTankPro Granular 16oz

The Marelon® Advantage

Over 35 Years Of Polymer Marine Plumbing Development

Marelon® is the modern material for marine plumbing systems. Its non-corrosive proprietary formulation of polymer composite compounds uses resins and additives to produce an extremely strong marine-grade product that will not deteriorate like traditional bronze marine plumbing parts.

Our fully integrated Marelon® "93 Series" Seacocks & Thru-hulls are designed to provide easy installation with a wide variety of valve port configurations. This allows OEM builders and installers to design systems to fit their specific needs. They also exceed ABYC compliance standards and meet all UL and ISO standards.

Marine Grade Glass Reinforced Composite Polymer Plumbing

- For Use Above or Below Waterline
- Extremely Builder Customizable
- Exclusive Polymer Formulation That Will Never Corrode
- Some Components Compatible With Brass/Bronze Fittings



A Full Range Of Marine Components

Seacocks | Valves | Thru-Hulls | Strainers
Vents | Connectors | Sink Wastes
| Deck Fills | Drains & Drain Plugs

Fully Integrated "93" Series Valves are U.L. & ISO Certified & A.B.Y.C. Compliant



Learn More
forespar.com/marelon

Temperature Range:
-40° F/-40° C to 176° F/80° C

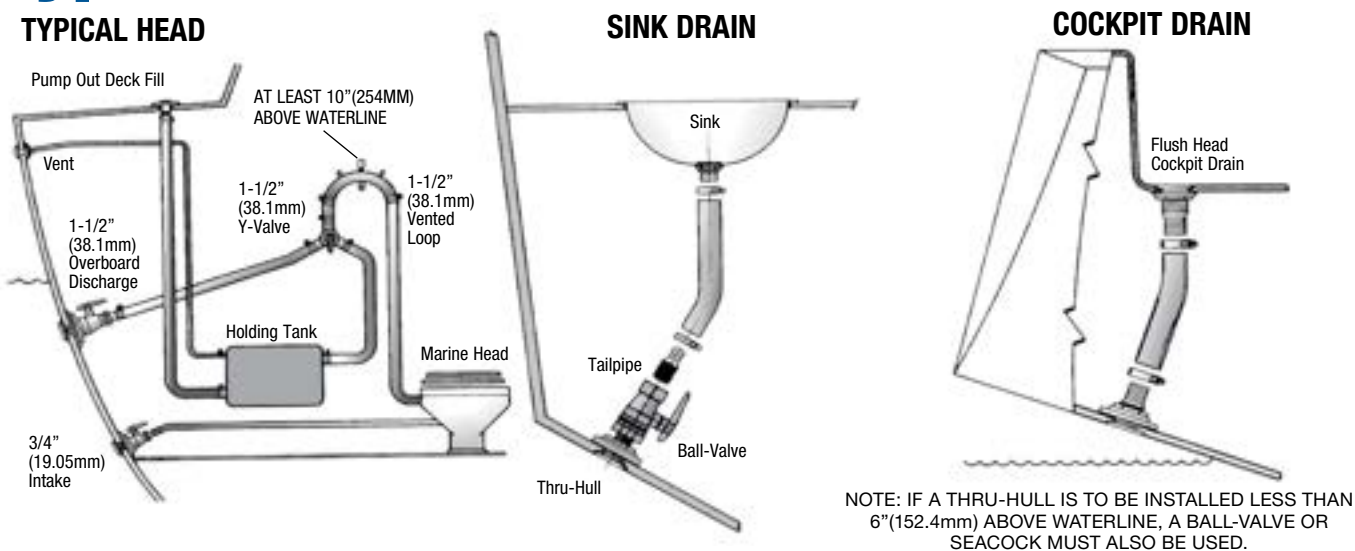


Compatible With Bronze
Special Order
Contact Us for Order Minimums

MARELON® COMPOSITE MARINE PLUMBING COMPONENTS

PerformanceCare+ LANOCOTE & REFRESH DEODORIZERS

Typical Installations



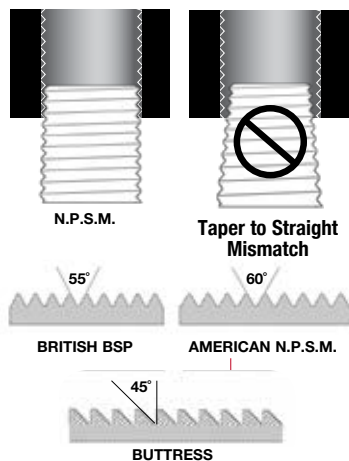
A Word On Thread Forms

Industrial vs Marine

Industrial or household fittings typically use the NPT (National Pipe Tapered) tapered thread. The marine valves, thru-hulls, tailpipes and seacocks used in boats employ the NPSM (National Pipe Straight Mechanical) parallel thread form. Tapered industrial fittings are not intended to be joined with parallel marine fittings.

Marelon® Valves and Fittings

Almost all Marelon® valves, thru-hulls and fittings use NPSM parallel thread forms that require thread compound or Teflon® tape to seal. There are two exceptions to using parallel threads in Marelon®. Our Marelon® "93 Series" plumbing system comes standard with buttress threaded thru-hulls that mate to buttress threaded valves. And our Marelon® "HC Series" line of reducing tailpipes all employ true NPT tapered threads.



British vs United States Parallel Thread Standards

The American NPSM parallel thread standard has a thread flank angle of 60°. The British Standard Pipe, or BSP standard for parallel threads has a thread flank angle of 55°. Identification can also be made by inspecting the root and crest of the threads. The truncation of the root and crest of American standard threads are flat. The truncation of the root and crest of British standard threads are round.

ALL FORESPAR MARELON BALL VALVES & THRU-HULL FITTINGS MEET OR EXCEED CURRENT REVISIONS OF THE FOLLOWING INDUSTRY STANDARDS

1/15/2019

A.B.Y.C. H-27 / UL 1121 Seacocks, Through-Hull connections and Drain Plugs	ISO/DIS 9093-2 Small Craft – Seacocks & Through-Hull Fittings – Non-Metallic
--	--

Physical property measurements of Forespar Marelon through-hull and through-hull adjacent fittings:

	ABYC Standard	ISO Standard	Marelon
Tensile Strength:	75 MPa / 10,900 psi	60 MPa / 8,700 psi (ISO 527)	85 MPa / 12,330 psi
Flexural Modulus:	3480 MPa / 505,000psi	2700 MPa / 391,600 psi (ISO 178)	3600 MPa / 522,135 psi
Impact Strength:	N/A	9 kJ/m ² (ISO 180/A)	13 kJ/m ²
As to Strength Test:	2225N / 500 lb-f Static	1500N / 337 lb-f Dynamic	Over 2225N / 500 lb-f Static

LIMITED WARRANTY

Forespar® accepts no responsibility for valve or thru-hull components which are improperly installed, tampered with or have inadequate access for service and maintenance.

Marelon® Valve Components

Flange Mounting Seacocks

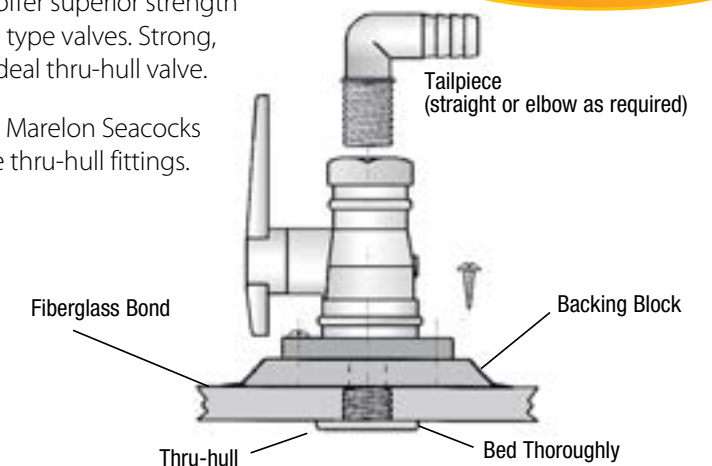
Installation Instructions
forespar.com/install

Forespar's Flange Mounted Seacocks made with Marelon® offer superior strength and corrosion resistance compared to conventional bronze type valves. Strong, lightweight, corrosion and electrolysis free, they make the ideal thru-hull valve.

Available in most common sizes and thread configurations, Marelon Seacocks can be used as replacement valves for most existing marine thru-hull fittings.



MF 849



Part No.	Model No.	Thread Size	Height	Height w/Handle	Base
904009	MF 849 1/2	1/2"(12.7mm)	3"(76.2mm)	4"(101.6mm)	3"(76.2mm)
904010	MF 849 3/4	3/4"(19.05mm)	3"(76.2mm)	4"(101.6mm)	3"(76.2mm)
904011	MF 849 1-1/2	1-1/2"(38.1mm)	5"(127mm)	8"(203.2mm)	6"(152.4mm)

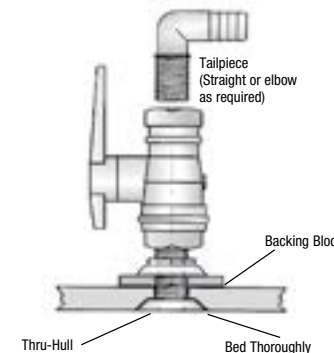
MF 850 Ball Valves

Forespar's MF 850 series of Ball Valves are precision molded in high strength Marelon®. Their great strength, light weight, and complete freedom from corrosion and electrolysis make them the ideal valve for controlling inlet and outlet water requirements above and below the waterline.

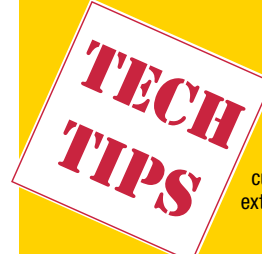
Our engineers opened and closed one of our 3/4"(19.05mm) valves 11,000 times, then submerged it in water with an air line pressurized to 40 p.s.i. connected to it. The result was an absolutely leak free condition with no evidence of internal seal wear. Valves sold throughout the U.S.A. have parallel marine type threads. If specified, B.S.P. are available outside of America.



MF 850



Part No.	Model No.	Thread Size	Body Dia.	Body Length	Length w/Handle
905100	MF 850 1/2"	1/2"(12.7mm)	1-7/8"(47.62mm)	3"(76.2mm)	4"(101.6mm)
905101	MF 850 3/4"	3/4"(19.05mm)	1-7/8"(47.62mm)	3"(76.2mm)	4"(101.6mm)
905102	MF 850 1"	1"(25.4mm)	2-3/4"(69.85mm)	4-3/4"(120.65mm)	5-1/2"(139.7mm)
905103	MF 850 1"-1/4"	1-1/4"(31.75mm)	2-3/4"(69.85mm)	4-7/8"(123.82mm)	5-3/4"(146.05mm)
905104	MF 850 1"-1/2"	1-1/2"(38.1mm)	3-1/2"(88.9mm)	5"(127mm)	7-1/2"(190.5mm)
905105	MF 850 2"	2"(50.08mm)	4-1/4"(107.95mm)	5-7/8"(149.22mm)	8"(203.2mm)



Valves Are A Maintenance Item

All our valves are non-corrosive, but like any moving part in a marine environment, they require regular inspection and lubrication. Encourage Your customers to regularly actuate the handle and lubricate the seals.

For proper and easy valve lubrication, we recommend our MareLube Reach valve lubrication kit. It allows your customers to inject the correct lubrication directly onto the valve's moving parts using a pre-loaded syringe and extension tube. Water pump grease or mineral oil can also be used if necessary.

MareLube REACH Kit - 770049 - forespar.com



Marelon® 93 Series Integrated Plumbing Systems



The Modern Boat Builders System of Choice for Glass Reinforced Composite Polymer Marine Plumbing Components

Marelon® 93 Series valves come in a wide array of configurations to offer that perfect installation solution. The perfect material for marine plumbing systems, its non-corrosive proprietary formulation of polymer composite compounds uses a resins and additives to produce a superior marine-grade product that will not deteriorate like traditional bronze marine plumbing parts.

- For Use Above And Below Waterline
- Compatible With Traditional Bronze Fittings
- Precision Molded Plumbing Systems
- Complete Freedom From Corrosion
- ISO Certified 9093-2 by IMCI
- U.L. Approved
- A.B.Y.C. Compliant

Used By Over 350 Boat Builders



Benefits to Builders

- Lightweight, yet extremely strong injection-molded parts
- Complete freedom from any corrosion
- Complete freedom from electrolysis or reaction to any metals
- Outstanding operating temperature range (-22° to +176° F.)
- Uses in deck hardware (cleats, chocks) and marine plumbing
- Outstanding U.V. resistance and color fix
- Marelon® valves offer an unprecedented variety of designs
- Long term reliability

Benefits to the Boat Owner

- No bonding (electrical) required
- Configurations to fit tight machinery spaces
- Minimal maintenance requirements
- Ease of installation with standard tools
- Accepts adhesives and coatings (bottom paints) easily
- Can be used on aluminum, steel, wood or FRP hull forms
- Excellent chemical resistance to harsh bilge cleaners
- Can be used with or on any metal fittings
- Long term reliability

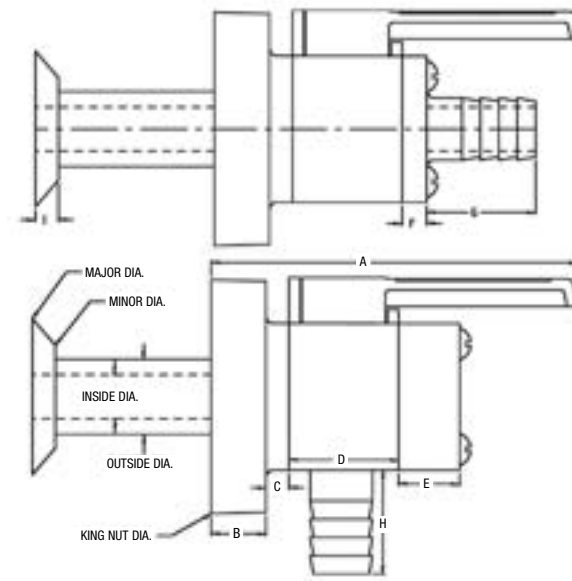


93 Series Valves Can Be Custom Ordered With NPT or BSP Threads

Learn More
forespar.com/marelon

Marelon® 93 Series Hose Barb Valves

Standard Marelon® 93 Series Hose Barb Valves allow for quick and secure hose installation through a wide array of sizes. Valves can also be configured with a combination of horizontal or vertical ports to adapt for tight hull spaces.



DIMENSION	1/2" & 3/4" (12.7mm)&(19.05mm)	1"25 & 1-1/4" (25.4mm)&(31.75mm)	1-1/2" & 2" (38.1mm)&(50.8mm)
MAJOR DIA.	1.73(43.94mm)	2.20(55.88mm)	2.79(70.86mm)
MINOR DIA.	1.28(32.51mm)	1.70(43.18mm)	2.18(55.37mm)
OUTSIDE DIA.	1.1(27.94mm)	1.6(40.64mm)	2.1(53.34mm)
INSIDE DIA.	.62(15.74mm)	1.05(26.67mm)	1.64(41.65mm)
KING NUT DIA.	3.13(79.50mm)	3.75(95.25mm)	4.21(106.93mm)
WEIGHT	10 oz	18 oz	28 oz
A	4.48(113.79mm)	6.19(157.22mm)	7.63(193.80mm)
B	.91(23.11mm)	.98(24.89mm)	1.10(27.94mm)
C	.48(12.19mm)	.31(7.84mm)	.23(5.84mm)
D	1.20(30.48mm)	1.87(47.49mm)	1.57(39.87mm)
E	.52(13.20mm)	.75(19.05mm)	1.35(34.29mm)
F	.53(13.46mm)	.75(19.05mm)	.78(34.29mm)
G	1.31(33.27mm)	1"=1.25 (25.4mm)=(31.75mm) 1-1/4"=1.50 (31.75mm)=(38.1mm)	1.50(38.1mm)
H	1.44(36.57mm)	1.50(38.1mm)	1.75(44.45mm)
I	.24(6.09mm)	.23(5.84mm)	.24(6.09mm)

ALL DIMENSIONS IN INCHES

Available With Mushroom, Flush or Anti-Venturi Style (see page 15) Thru-Hull Connectors.

Also Available With Chrome Plated Mushroom Heads.



Marelon® 93 Series Threaded Valves

These valves are designed to meet the needs of builders and owners who require the benefits of the Marelon® integrated plumbing system, with female threads. These valve works great with A.N.P. Thru-Hulls. Forespar® offers this threaded valve in three of our most widely used configurations with N.P.S.M. or B.S.P threads.

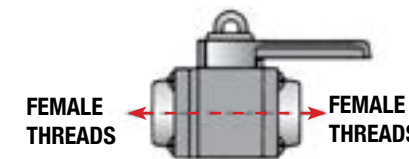
All Marelon® Integrated Plumbing System valves come with a matched thru-hull, both of which use a buttress thread form that is very strong for synthetics. When these complete systems are ordered with either flush or mushroom non-screened thru-hulls the valves come with a cap in the handle that has a loop. This cap is an emergency thru-hull plug in case the valve must be disassembled to clear debris or be replaced completely WITHOUT HAVING TO HAUL THE BOAT.

If you want to use a Marelon® valve with an existing bronze or stainless steel thru-hull, we can (with prior notice) supply the valves with either the NPSM (National Pipe Straight Mechanical) or BSP (British Standard Pipe) threads that typically are used with bronze or stainless steel thru-hulls.

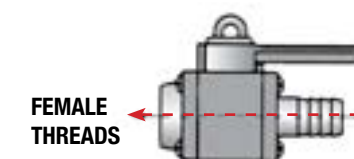
Hose Barb Inner (I.D.) ("93" Series only)

- 1/2"(12.7mm) - .462"(11.73mm)
- 3/4"(19.05mm) - .52"(13.20mm)
- 1"(25.4mm) - .790"(20.06mm)
- 1-1/4"(31.75mm) - 1.05"(26.67mm)
- 1-1/2"(38.1mm) - 1.25"(31.75mm)
- 2"(50.8mm) - 1.54"(39.11mm)

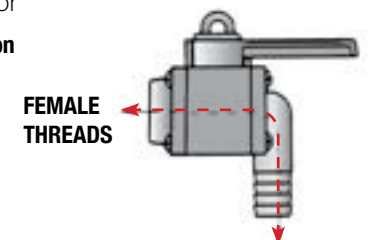
Arrows Indicate Water Flow Direction



Valve P/N	Size
933332	1/2"(12.7mm)
933333	3/4"(19.05mm)
933334	1"(25.4mm)
933335	1-1/4"(31.75mm)
933336	1-1/2"(38.1mm)
933338	2"(50.8mm)



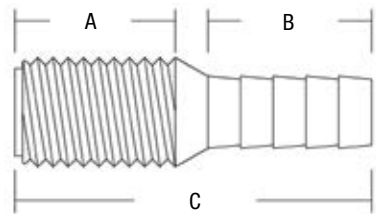
Valve P/N	Size
933342	1/2"(12.7mm)
933343	3/4"(19.05mm)
933344	1"(25.4mm)
933345	1-1/4"(31.75mm)
933346	1-1/2"(38.1mm)
933348	2"(50.8mm)



Valve P/N	Size
933352	1/2"(12.7mm)
933353	3/4"(19.05mm)
933354	1"(25.4mm)
933355	1-1/4"(31.75mm)
933356	1-1/2"(38.1mm)
933358	2"(50.8mm)

Tailpipes / Hose Connectors

Our Tailpipes are also made from high-strength glass-reinforced Marelon®. Perfect choice for joining hose lines to Forespar® Ball Valves and Seacocks.



TAPERED PIPE THREADS

Clear View Connectors
Not For Use With
Petroleum Products

Available in Black or Clear View

Part No.	Model No.	Thread Size	Tailpipe Dia.	A	B	C
905006	CF 252 1/2	1/2"(12.7mm)	5/8"(15.87mm)	1"(24.4mm)	1"(24.4mm)	2-1/4"(57.15mm)
905007	CF 252 3/4	3/4"(19.05mm)	3/4"(19.05mm)	1"(24.4mm)	1"(24.4mm)	2-3/8"(60.32mm)
905008	CF 252 1	1"(24.4mm)	1"(24.4mm)	1-1/2"(38.1mm)	1-1/2"(38.1mm)	2-7/8"(73.02mm)
905009	CF 252 1-1/4	1-1/4"(31.75mm)	1-1/4"(31.75mm)	1-5/8"(41.27mm)	1-1/4"(31.75mm)	3-1/4"(82.55mm)
905010	CF 252 1-1/2	1-1/2"(38.1mm)	1-7/16"(36.51mm)	1-7/16"(36.51mm)	1-1/8"(28.57mm)	2-5/8"(66.67mm)
905011	CF 252 2	2"(50.8mm)	2"(50.8mm)	1-11/16"(42.88mm)	1-1/4"(31.75mm)	3-1/4"(82.55mm)
905016	CF 252 1-1/8	1"(24.4mm)	1-1/8"(28.57mm)	1"(24.4mm)	1-1/16"(26.98mm)	2-7/8"(73.02mm)
905017	CF 252 1-1/2	1-1/2"(38.1mm)	1-1/4"(31.75mm)	1-7/16"(36.51mm)	1-1/4"(31.75mm)	2-5/8"(66.67mm)

Add a "C" after the above part numbers for CLEAR VIEW fittings

Elbows

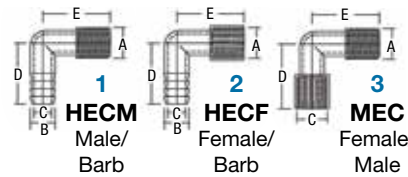
Molded from high-strength Marelon®. Dimension 'A' indicates pipe thread size.



1
Male
Threads

Available in Black
or Clear View

2
Female
Threads



1 HECM Male/Barb
2 HECF Female/Barb
3 MEC Female/Male

Part No.	Model No.	A	B	C	D	E
1 901000	HECM 8	1/2"(12.7mm)	5/8"(15.87mm)	7/16"(11.11mm)	2"(50.8mm)	1-1/2"(38.1mm)
901001	HECM 12	3/4"(19.05mm)	3/4"(19.05mm)	1/2"(12.7mm)	2-1/8"(53.97mm)	1-5/8"(41.27mm)
901002	HECM 16	1"(24.4mm)	1"(24.4mm)	5/8"(15.87mm)	2-1/2"(63.5mm)	1-7/8"(47.62mm)
901003	HECM 20	1-1/4"(31.75mm)	1-1/4"(31.75mm)	7/8"(22.22mm)	2-3/4"(69.85mm)	2-5/16"(58.72mm)
901004	HECM 24	1-1/2"(38.1mm)	1-1/2"(38.1mm)	1-1/16"(26.98mm)	3-1/4"(82.55mm)	2-3/4"(69.85mm)
901005	HECM 32	2"(50.8mm)	2"(50.8mm)	1-1/2"(38.1mm)	3-5/8"(92.07mm)	3-1/4"(95.25mm)
901052	HECM 24/20	1-1/2"(38.1mm)	1-1/4"(31.75mm)	7/8"(22.22mm)	2-3/4"(69.85mm)	2-3/4"(69.85mm)
901053	HECM 16/16.125	1"(24.4mm)	1-1/8"(28.57mm)	29/32"(22.86mm)	2-1/2"(63.5mm)	1-7/8"(47.62mm)

Add a "C" After The Above Part Numbers For Clear View Fittings
Clear View Connectors Not For Use With Petroleum Products

Part No.	Model No.	A	B	C	D	E
2 901006	HECF 8	1/2"(12.7mm)	5/8"(15.87mm)	7/16"(11.11mm)	2"(50.8mm)	1-5/8"(41.27mm)
901007	HECF 12	3/4"(19.05mm)	3/4"(19.05mm)	9/16"(14.28mm)	2-3/16"(55.56mm)	1-3/4"(44.45mm)
901008	HECF 16	1"(24.4mm)	1"(24.4mm)	5/8"(15.87mm)	2-1/2"(63.5mm)	1-7/8"(47.62mm)
901009	HECF 20	1-1/4"(31.75mm)	1-1/4"(31.75mm)	7/8"(22.22mm)	2-3/4"(69.85mm)	2-1/2"(63.5mm)
901010	HECF 24	1-1/2"(38.1mm)	1-1/2"(38.1mm)	1-1/8"(28.57mm)	3-1/8"(79.37mm)	2-3/4"(69.85mm)
901011	HECF 32	2"(50.8mm)	2"(50.8mm)	1-9/16"(39.68mm)	3-5/8"(92.07mm)	3-1/4"(82.55mm)

CLEAR VIEW not available on above

Part No.	Model No.	A	C	D	E
3 920207	MEC 8	1/2"(12.7mm)	1/2"(12.7mm)	1-5/16"(33.33mm)	1-7/16"(36.57mm)
920336	MEC 12	3/4"(19.05mm)	3/4"(19.05mm)	1-5/8"(41.27mm)	1-5/8"(41.27mm)

CLEAR VIEW not available on above

Female Threaded Barbed Hose Fittings

Made of high strength glass-reinforced Marelon®.

Part No.	Model No.
901014	1/2"(12.7mm) FPT to 1/2"(12.7mm) HOSE BARB
901015	3/4"(19.05mm) FPT to 3/4"(19.05mm) HOSE BARB
905012	1-1/2"(38.1mm) FPT to 3/4"(19.85mm) HOSE BARB
905013	1-1/2"(38.1mm) FPT to 1"(24.4mm) HOSE BARB
905015	1-1/2"(38.1mm) FPT to 1-1/8"(28.57mm) HOSE BARB
905018	1-1/2"(38.1mm) FPT to 1-1/4"(30.4mm) HOSE BARB
905014	1-1/2"(38.1mm) FPT to 1-1/2"(38.1mm) HOSE BARB

CLEAR VIEW not available on above



Thru-Hull Connectors

Forespar® series of Thru-Hull Connectors are precision molded in high strength Marelon®. Their great strength, light weight and complete freedom from corrosion and electrolysis make them the ideal Thru-Hull Connectors for use above or below the waterline. All Thru-Hull Connectors must be installed with proper bedding compound. We recommend a maximum torque setting of 20 lb/ft. for Series 250, Series 251 and Series 253 Thru-Hull Connectors.

* THE 'S' NOTATION IN MODEL NUMBERS (EG. CF 250S 1/2), INDICATES A THRU-HULL THAT HAS BEEN FITTED WITH A SCREEN.

250 SERIES

FULL THREADED/FLUSH HEAD

Part No.	Model No.	Thread Size	Length
906000	CF 250 1/2	1/2"(12.7mm)	2"(50.8mm)
906001	CF 250S 1/2	1/2"(12.7mm)	2"(50.8mm)
906002	CF 250 3/4	3/4"(19.05mm)	2.25"(57.15mm)
906003	CF 250S 3/4	3/4"(19.05mm)	2.25"(57.15mm)
906004	CF 250 1	1"(25.4mm)	2.375"(60.32mm)
906005	CF 250S 1	1"(25.4mm)	2.375"(60.32mm)
906006	CF 250 1-1/4	1-1/4"(31.75mm)	3"(76.2mm)
906007	CF 250S 1-1/4	1-1/4"(31.75mm)	3"(76.2mm)
906008	CF 250 1-1/2	1-1/2"(38.1mm)	3"(76.2mm)
906009	CF 250S 1-1/2	1-1/2"(38.1mm)	3"(76.2mm)

* 'S' DENOTES SCREENED

251 SERIES

FULL THREADED MUSHROOM HEAD

Part No.	Model No.	Thread Size	Length
906010	CF 251 1/2	1/2"(12.7mm)	2"(50.8mm)
906011	CF 251S 1/2	1/2"(12.7mm)	2"(50.8mm)
906012	CF 251 3/4	3/4"(19.05mm)	2.25"(57.15mm)
906013	CF 251S 3/4	3/4"(19.05mm)	2.25"(57.15mm)
906014	CF 251 1	1"(25.4mm)	2.375"(60.32mm)
906015	CF 251S 1	1"(25.4mm)	2.375"(60.32mm)
906016	CF 251 1-1/4	1-1/4"(31.75mm)	3"(76.2mm)
906017	CF 251S 1-1/4	1-1/4"(31.75mm)	3"(76.2mm)
906018	CF 251 1-1/2	1-1/2"(38.1mm)	3"(76.2mm)
906019	CF 251S 1-1/2	1-1/2"(38.1mm)	3"(76.2mm)
906020	CF 251 2	2"(50.8mm)	3"(76.2mm)
906021	CF 251S 2	2"(50.8mm)	3"(76.2mm)

* 'S' DENOTES SCREENED

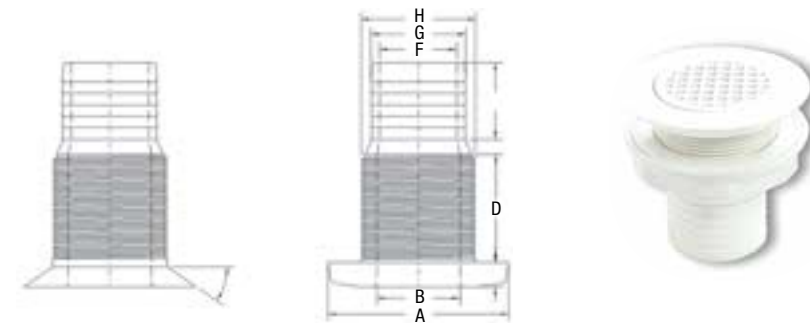
253 SERIES

HOSE TAILPIPE/MUSHROOM HEAD

Part No.	Model No.	Hose I.D.
906022	CF 253 1/2	1/2" - 5/8"(12.7 - 15.87mm)
906023	CF 253S 1/2	1/2" - 5/8"(12.7 - 15.87mm)
906024	CF 253 3/4	3/4"(19.05mm)
906025	CF 253S 3/4	3/4"(19.05mm)
906026	CF 253 1	1"(25.4mm)
906027	CF 253S 1	1"(25.4mm)
906070	CF253 1-1/8	1-1/8"(28.57mm)
906071	CF253S 1-1/8	1-1/8"(28.57mm)
906028	CF 253 1-1/4	1-1/4"(31.75mm)
906029	CF 253S 1-1/4	1-1/4"(31.75mm)
906030	CF 253 1-1/2	1-1/2"(38.1mm)
906031	CF 253S 1-1/2	1-1/2"(38.1mm)
906032	CF 253 2	2"(50.8mm)
906033	CF 253S 2	2"(50.8mm)

* 'S' DENOTES SCREENED

THRU-HULL MEASUREMENTS



FLUSH HEAD DRAIN

Part No.	Model No.	Thread Size & Hose I.D.	Thread Length
906038	CF254 1-1/4	1-1/4"(31.75mm)	1 3/4"(44.45mm)
906036	CF 254 1-1/2	1-1/2"(38.1mm)	1 3/4"(44.45mm)
906037	CF 254S 1-1/2	1-1/2"(38.1mm)	1 3/4"(44.45mm)
906034	CF 254 2	2"(50.8mm)	1 3/8"(34.92mm)
906035	CF 254S 2	2"(50.8mm)	1 3/8"(34.92mm)
906039	CF 254 1-5/8	1-5/8"(41.27mm)	1 3/8"(34.92mm)

* 'S' DENOTES SCREENED

CORRESPONDING DIMENSION FROM ABOVE DRAWING

SERIES	A	B	C	D	E	F	G	H
250								
1/2"(12.7mm)	2.375(60.32mm)	.430(10.92mm)	.335(8.5mm)	2.000(50.8mm)	N/A	N/A	N/A	.810(20.57mm)
3/4"(19.05mm)	2.430(61.72mm)	.665(16.89mm)	.320(8.1mm)	2.250(57.15mm)	N/A	N/A	N/A	1.015(25.78mm)
1"(25.4mm)	2.835(72.2mm)	.875(22.22mm)	.320(8.1mm)	2.375(60.32mm)	N/A	N/A	N/A	1.285(32.63mm)
1-1/4"(31.75mm)	2.820(71.63mm)	1.115(28.32mm)	.325(8.25mm)	3.000(76.2mm)	N/A	N/A	N/A	1.635(41.52mm)
1-1/2"(38.1mm)	2.562(65.07mm)	1.380(35.05mm)	.320(8.1mm)	3.000(76.2mm)	N/A	N/A	N/A	1.850(46.99mm)
251								
1/2"(12.7mm)	1.500(38.1mm)	.448(11.37mm)	.256(6.5mm)	2.125(53.97mm)	N/A	N/A	N/A	.810(20.57mm)
3/4"(19.05mm)	2.084(52.93mm)	.690(17.52mm)	.335(8.5mm)	3.093(78.56mm)	N/A	N/A	N/A	1.028(26.11mm)
1"(25.4mm)	2.345(59.56mm)	.880(22.35mm)	.288(7.31mm)	2.400(60.96mm)	N/A	N/A	N/A	1.282(32.56mm)
1-1/4"(31.75mm)	2.650(67.31mm)	1.110(28.19mm)	.345(8.76mm)	2.950(74.93mm)	N/A	N/A	N/A	1.615(41.02mm)
1-1/2"(38.1mm)	2.940(74.67mm)	1.360(34.54mm)	.345(8.76mm)	2.950(74.93mm)	N/A	N/A	N/A	1.850(46.99mm)
253								
1/2"(12.7mm)	1.506(38.25mm)	.505(12.82mm)	.265(6.73mm)	1.490(37.84mm)	.975(24.76mm)	.439(11.15mm)	.657(16.68mm)	.812(20.62mm)
3/4"(19.05mm)	2.100(53.34mm)	.670(17.01mm)	.325(8.25mm)	1.677(42.59mm)	1.028(26.11mm)	.535(13.58mm)	.770(19.55mm)	1.015(25.78mm)
1"(25.4mm)	2.350(59.69mm)	.958(24.33mm)	.295(7.49mm)	1.695(43.05mm)	1.085(27.55mm)	.797(20.24mm)	1.015(25.78mm)	1.280(32.51mm)
1-1/4"(31.75mm)	2.675(67.94mm)	1.194(30.32mm)	.327(8.3mm)	1.818(46.17mm)	1.280(32.51mm)	1.021(25.93mm)	1.273(32.33mm)	1.615(41.02mm)
1-1/2"(38.1mm)	2.933(74.49mm)	1.350(34.29mm)	.345(8.76mm)	1.875(47.62mm)	1.280(32.51mm)	1.258(31.95mm)	1.530(38.86mm)	1.850(46.99mm)
2"(50.8mm)	3.511(89.17mm)	1.842(46.78mm)	.375(9.5mm)	1.875(47.62mm)	1.350(34.29mm)	1.610(40.89mm)	2.018(51.25mm)	2.320(58.92mm)
254								
1-1/4"(31.75mm)	2.805(71.24mm)	1.164(29.56mm)	.316(8.02mm)	1.500(38.1mm)	1.280(32.51mm)	.945(24mm)	1.260(32mm)	1.615(41.02mm)
1-1/2"(38.1mm)	2.805(71.24mm)	1.406(35.71mm)	.316(8.02mm)	1.500(38.1mm)	1.280(32.51mm)	1.115(28.32mm)	1.475(37.46mm)	1.850(46.99mm)
2"(50.8mm)	3.525(89.53mm)	1.672(42.46mm)	.325(8.25mm)	1.500(38.1mm)	1.300(33.02mm)	1.480(37.59mm)	2.018(51.25mm)	2.320(58.92mm)



CLEAR VIEW not available on above

'Y' Valves & Connectors

Forespar® 'Y'-Valves and Connectors are molded from Marelon®. Offering an improved, stronger handle design, our valves are available in 1"(25.4mm) and 1-1/2"(38.1mm) barb size. 'Y'-Valves are an essential piece of equipment when the flow of water or other fluids are required to be conveniently diverted, as in a marine head application where a holding tank is utilized. They are easily mounted to a bulkhead. The valves are operated by a simple 120° movement. Positive stops are provided between positions. Replacement parts are available.

Our 'Y' Connectors can be used for connecting fluid lines. End plate may be removed for blockage relief etc. O-ring seal ensures leak free performance and is safe under pressure working conditions up to 40 P.S.I. Available with or without mounting flange.



'Y' CONNECTORS			
Part No.	Model No.	Flange	Barb Size
902002	HYCF 16	Yes	1"(25.4mm)
902003	HYC 16	No	1"(25.4mm)
902004	HYCF 24	Yes	1-1/2"(38.1mm)
902005	HYC 24	No	1-1/2"(38.1mm)

'Y' VALVES		
Part No.	Model No.	Barb Size
902000	MF 852	1-1/2"(38.1mm)
902001	MF 853	1"(25.4mm)
902006	'Y'-Valve Parts Kit (fits 1 & 1-1/2")	
Male Threaded (Accept female threaded hose barb)		
902007	MF 854	3/4"(19.05mm)
902008	MF 855	1-1/8"(28.57mm)

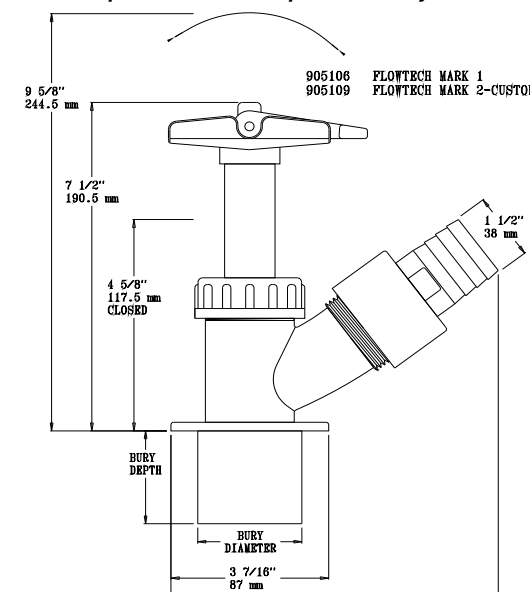
It Is Not Recommended To Install Y-Valves Below The Waterline

Flowtech™ Performance Valve

The Racer's Choice

Flowtech™ free flow sea valves incorporate the valve body, thru-hull and the choice of all three sizes of hose pipe connections all in one set. These high performance valves are available for 3/4"(19.05mm), 1"(25.14mm) & 1-1/2"(38.1mm) hose sizes. The Flowtech™ valve pipe can be faired smooth to the boat's outer skin so that when the valve is closed, the internal plunger and valve pipe creates a flush, fair & fast outer surface. Made of Marelon®

Valve Components Are Not Compatible With Any Other Manufacturers' Product



Bury Info	Depth	Dia.
Flowtech™ Valve Mark I	1 3/8" (35 mm)	1 7/8" (47.6 mm)
Flowtech™ Valve Mark II	2 1/16" (52 mm)	2 1/4" (57 mm)

Description	P/N	Wt
Flowtech™ Valve Mark I	905106	1.502 oz
Flowtech™ Valve Mark II	905109	1.702 oz
Flowtech™ Mark I Repair Kit	905107	
Flowtech™ Mark II Repair Kit	905112	

T-150 Water Strainer

Our new Marelon T-150 Strainer provides a compact installation alternative for raw water filtration without compromising filtration rates. It features a T-Head body design and unique mounting bracket that allows the T-150 to be installed in tight or hard-to-reach locations where traditional raw water strainers will not fit. Despite its smaller size, it offers all the benefits of traditional "top basket" strainers.

The clear molded polycarbonate filter bucket screws onto the Marelon housing and offers easy viewing of the stainless steel filter basket without removal. The T-150 also features a unique flexible C clamp mounting bracket that allows the strainer to be snapped into place and rotated as needed to face any direction to fit tight spaces.

The T-150 fits 1-1/2" Female NPSM (Parallel Threads) Ports to which you can attach a straight or 90° Hose Barb Tailpipe as needed. Adaptors are also available for 3/4", 1", 1-1/8" & 1-1/4" fittings.

(SEE REDUCERS AND ADAPTERS SHOWN BELOW)

Part No. Model No./Description

906166	T-150 Water Strainer
920261	T-150 Clear Bowl
920262	T-150 Gasket
920265	T-150 Mesh Screen #20 (Extra Fine)
920264	T-150 Mesh Screen #8 (Standard)
906187	T-150 Mounting Bracket



Molded From Glycol Anti-Freeze Resistant Resin

Water Strainer

This water strainer is made of Marelon® (same material as our valves). It features a new universal mounting bracket and clear polycarbonate lid for ready inspection. The stainless steel strainer basket can be easily removed for cleaning. Intake and exit ports are 1-1/2"(38.1mm) ANP parallel threads standard. Reducers for 3/4"(19.05mm) I.D. hose are available separately. Diameter: 6.3"(160.02mm) Height: 6.1"(154.94mm). The flow rate is 40 GPM(151.41l/m) with 1-1/2"(38.1mm) ports.

(SEE REDUCERS AND ADAPTERS SHOWN BELOW)

The new mounting bracket allows the strainer exit port to be positioned in the proper direction by simply loosening the bracket clamp and rotating the entire housing. This will allow the OEM or aftermarket customer greater flexibility in installation.



Part No.	Model No./Description	Part No.	Model No./Description
906066	MF 810 Water Strainer	906065	s/s Basket only
906067	MF 811 Gasket Set	920178	Clear Cover only

Water Strainer Reducers/Adapters



Part No.	Model No.	Thread
901045	FTC 8	1/2"(12.7mm) female
901046	FTC 12	3/4"(19.05mm) female
901042	FTC 16	1"(25.14mm) female
901044	FTC 20	1-1/4"(31.75mm) female
901043	FTC 24	1-1/2"(38.1mm) female
901040	MTC 12-8	3/4"(19.05mm)-1/2"(12.7mm) male
901050	MTC 12-12	3/4"(19.05mm)-3/4"(19.05mm) male
901051	MTC 16-12	1"(25.14mm)-3/4"(19.05mm) male
901047	MTC 24-16	1-1/2"(38.1mm)-1"(25.14mm) male
901048	MTC 24-20	1-1/2"(38.1mm)-1-1/4"(31.75mm) male
901049	MTC 24-24	1-1/2"(38.1mm)-1-1/2"(38.1mm) male
910062	RB 24-16	1-1/2"(38.1mm) male- 1"(25.14mm) female
910063	RB 24-12	1-1/2"(38.1mm) male -3/4"(19.05mm) female

Remote Operated ROV™ 93 Valves

Switch Operated Valves Open And Close With Push of Button

Forespar® now offers remote operated ROV™ (Remote Operated Valves) to boat builders wishing to offer their customers the added convenience of remotely operating their seacocks without the need to go below, get on your knees and reach into the bilge to open or close the valves. Powerful sealed motors open or close the valve with a push of a button or flip of a switch. Contact Forespar for further information.

- **Motor Activated, Push Button Control**
- **Switch Indicator Lights Confirm Valve Status**
- **UL Approved, ISO Certified, ABYC Compliant**
- **Motors Are CE Certified, RoHS Compliant & Exceed EMC Motor Directives**
- **Exceeds ISO Water Intrusion & Explosion Hazard Standards**
- **Available In 12v or 24v**

Part No.	Model
930145	1/2" - 3/4" valves
930146	1" - 1-1/4" valves
930147	1-1/2" - 2" valves

Please specify 12v or 24v systems

OEM and ABYC Qualified Installers Only



Interlock™ Smart Valve Systems

Programmed Valve Control Automatically Protects Critical System

Forespar's Interlock Valve Control system automatically opens and closes system valves to protect critical systems from improper valve operation commonly due to human error. A fully integrated system, it is factory set to match the boat's requirements as requested by the builder or qualified installer. Unique programming allows the valve to control equipment or the equipment can control the valve. Owners simply flip the panel switch and powerful sealed motors open or close each valve as needed based on pre-programmed specifications. All valves used in the system are composite Marelton components which are UL approved, ISO Certified and ABYC compliant. OEM and ABYC Qualified Installers Only

- **Pre-Programmed Automatic Valve Activation**
- **Panel Lights Confirm Valve Status At A Glance**
- **UL Approved, ISO Certified, ABYC Compliant**
- **Exceeds ISO Water Intrusion & Explosion Hazard Standards**
- **Motors Are CE Certified, RoHS Compliant & Exceed EMC Motor Directives**
- **12v or 24v**



It's What Today's Boaters Expect!
Call Your Forespar Representative For Details

Marelton 93 Series Retail Pack

Valve & Mushroom Thru-hull

For retailers, we offer 6 common valve sizes of our standard 93 Series hose barb valves in a bag package for a hanging rack display. This helps protect the product from damage caused by rough handling in common "bin" type displays and gets the product up in front of the customer to help promote in-store sales.



Part No	Description	Hose Barb OD	Thru-Hull OD
904042ABYC	Straight Barb Valve	1/2" 13mm	1 1/4" 32mm
904043ABYC	Straight Barb Valve	3/4" 19mm	1 1/4" 32mm
904044ABYC	Straight Barb Valve	1" 25mm	1 3/4" 44mm
904045ABYC	Straight Barb Valve	1 1/4" 32mm	1 3/4" 44mm
904046ABYC	Straight Barb Valve	1 1/2" 38mm	2 1/4" 57mm
904048ABYC	Straight Barb Valve	2" 51mm	2 1/4" 57mm
904052ABYC	90° Elbow Barb Valve 1/2"	1/2" 13mm	1 1/4" 32mm
904053ABYC	90° Elbow Barb Valve 3/4"	3/4" 19mm	1 1/4" 32mm
904054ABYC	90° Elbow Barb Valve 1"	1" 25mm	1 3/4" 44mm
904055ABYC	90° Elbow Barb Valve 1-1/4"	1 1/4" 32mm	1 3/4" 44mm
904056ABYC	90° Elbow Barb Valve 1-1/2"	1 1/2" 38mm	2 1/4" 57mm
904058ABYC	90° Elbow Barb Valve 2"	2" 51mm	2 1/4" 57mm

Engine Flush Out Valve

Engines running in salt or brackish water need to be flushed with fresh water after use to prevent costly corrosion during Winter or off-season storage. Forespar® has designed a single valve system that makes this maintenance procedure simple.

This Seacock/Y Valve configuration includes a brass garden hose connection to facilitate regular fresh water engine flushing valve includes thru-hull that must be used. A quick and easy way to flush inboard engine systems.

Hose Barb Diameter	Mushroom Part No	Mushroom Screened Part No
1"	931274	937474
1-1/4"	931275	937475
1-1/2"	931276	937476
2"	931278	937478



Locking Handle Option

Forespar offers an optional locking plate installed at the factory on any "93" series Integrated Seacocks. These new locking plates allow the handle to be set in the closed position and a pad-lock used to positively lock the valve closed. This new feature will satisfy the USCG requirements for locking overboard discharged head system seacocks in the closed, no discharge position.

Locking handle option for integrated Seacocks 1"(25.4mm) through 2"(50.8mm) sizes. Note: Cannot be ordered separately. Must be ordered with a 93 Series Valve.

Part No	Description
930136	Optional handle lock for 1"(25.4mm) & 1-1/4"(31.75mm)
930137	Optional handle lock for 1-1/2"(38.1mm) & 2"(50.8mm) Note: - Forespar does not supply the padlock. Valve locks are not sold separately and are not a retrofit item.



Scoop Strainers

These high-strength, high-speed strainers are also made of non-corrosive Marelon®. Two piece construction allows for greater ease in installation. Available in 3/4"(19.05mm) and 1-1/4"(31.75mm) thread sizes. Note: The thru-hull and scoop are separate parts.



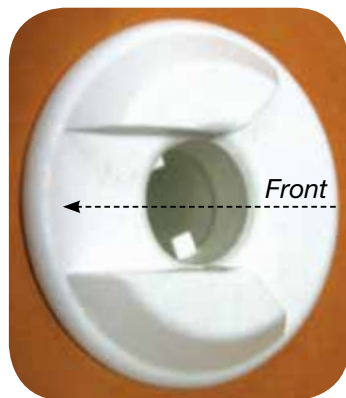
Part No.	Model No.	Thread Size	A	B	C	D
906059	MF 867 3/4	3/4"(19.05mm)	1-1/32"(26.18mm)	2-1/4"(57.15mm)	1"(25.4mm)	3-1/8"(79.37mm)
906060	MF 868 1-1/4	1-1/4"(31.75mm)	1-5/8"(41.27mm)	2-15/16"(74.42mm)	1"(25.4mm)	3-3/8"(85.72mm)
906061	MF 865 3/4	screen only			1"(25.4mm)	3-1/8"(79.37mm)
906062	MF 866 1-1/4	screen only			1"(25.4mm)	3-3/8"(85.72mm)

Screens only can be epoxied to the hull to eliminate additional holes in the gel-coat. Scoop screens can also be used over other thru-hulls (flush head styles are best) whenever a force feed is required.

Anti-Venturi T-Hull

Not For Sale Separately. This Thru-Hull Has Buttress Thread and Is Only Compatible with 93 Series Valves - See Pages 3-6. To Order This Option Add a "V" After the Valve's 6 Digit Part Number.

Custom tooled by Forespar®, these new thru-hulls have been tested on boats at varying rpm's and turn rates up to 45 mph. On a 3/4" generator intake line with this thru hull fitted, 0" to ~5" of vacuum was noted. This did not present a pressure situation which could potentially push water past the vanes of an older impeller and flood the cylinders or starve it of cooling water. The unique notch and lowered ramp in the leading edge (photo-front) provides a force-feed effect. To keep this force from overwhelming equipment impellers, the exit slot allows water flow to exit at a controlled rate. Installed and tested by the Monterey Boats team of engineers.



Arrow Indicates Water Flow Direction

The new Forespar® "Anti-Venturi" head thru hull for use with the 1/2" & 3/4" Marelon® Integrated Plumbing Systems seacocks ("93" series flange style valves) is available now in 3/4". These have the Integrated Plumbing Systems buttress style thread-form to fit the Integrated System flanged seacocks only.

Vented Loops

Installing one of our vented loops will ensure that fluids will not siphon from tank to tank. Vented Loops are commonly used in the marine toilet system and engine cooling system. The simple valve system incorporated in the top of the loop allows air to enter the line when not in use, yet effectively seals as water or other fluid passes through. Molded in Marelon®, neither vent nor loop will corrode. The duckbill one way valve is designed to seal properly if particulate matter is present in fluids. The new MF-846 vent barb assembly can be used in lieu of the standard MF-841 cap/duckbill. This option allows venting to the outside of the hull via a 1/4"(6.35mm) hose.

Part No.	Model No.	Barb Size	Height	Width
903000	MF 840	1-1/2"(38.1mm)	5-1/4"(133.35mm)	7-3/4"(196.85mm)
903000W	MF 840 White	1-1/2"(38.1mm)	5-1/4"(133.35mm)	7-3/4"(196.85mm)
903001	MF 842	3/4"(19.05mm)	4-1/2"(114.3mm)	3-3/4"(95.25mm)
903001W	MF 842 White	3/4"(19.05mm)	4-1/2"(114.3mm)	3-3/4"(95.25mm)
903002	MF 841	Vent Cap Assembly		
903002W	MF 841 White	Vent Cap Assembly		
903003	MF-843	5/8"(15.87mm)	4-1/2"(114.3mm)	4"(101.6mm)
903004	MF-846	Vent Barb Assembly		
903007	MF-844	1"(25.4mm)	7"(177.8mm)	9"(228.6mm)
903007W	MF-844 White	1"(25.4mm)	7"(177.8mm)	9"(228.6mm)
903008	MF-845	1/2"(12.7mm)	5-1/4"(133.35mm)	4-1/4"(107.95mm)
903008W	MF-845 White	1/2"(12.7mm)	5-1/4"(133.35mm)	4-1/4"(107.95mm)
903018	MF-847	1-1/8"(28.57mm)	7"(177.8mm)	9"(228.6mm)
903011	MF-839	1-1/4"(28.57mm)	7"(177.8mm)	9"(228.6mm)
903011W	MF-839 White	1-1/4"(28.57mm)	7"(177.8mm)	9"(228.6mm)



903004



AT LEAST 10"(254MM) ABOVE WATERLINE

Garboard Drains

For newer, thicker transoms, Forespar® designed a drain & plug assembly to fit up to 1-3/4"(44.45mm) thick transoms. Our Marelon® female 3/4"(19.05mm) elbows or female threaded barbed hose fitting (see page 40) can be screwed onto the end for hose attachment if needed. All Marelon® construction insures years of corrosion free use.



Part No.	Description
906081	GARBOARD DRAIN
906075	GARBOARD DRAIN (Short)
906076	GARBOARD DRAIN (Long)
906091	NEW GARBOARD DRAIN Black 2" dia.
906092	NEW GARBOARD DRAIN White 2" dia.

906091

906081

906076

- GD-S #906075 (short) Usable length with 5 threads engaged is 2-1/2" (63.5mm) maximum, 1-7/16" (36.51mm) minimum.
- GD-L #906076 (long) Usable length with 5 threads engaged is 3-1/4" (82.55mm) maximum, 2-1/2" (63.5mm) minimum.
- Diameter of the flange (both ends) is 2" (50.8mm). Diameter of the body (female threaded unit) is 1-3/16" (30.16mm). This is the diameter of the hole needed to install the unit through the transom.
- The screw style plug with gasket comes with it standard. Color of the Marelon material is white (like all our T-hulls).

Outboard Well Drain

The Forespar® outboard well drain offers a corrosion proof, easy-to-install replacement for the old fashioned brass fitting. Can also be used as a chafe guard to lead hose, wiring, steering cables, etc. through bulkheads, floor timbers and fiberglass panels. Barbs on O.D. ensure positive locking action. Designed to fit 1"(25.14mm) diameter hole.

Part No	Model No
907006	MF 795



Flange is 1-1/4"(31.75mm) dia.

Deck Fills

Molded in Marelon® for lifetime durability, Forespar® Deck fills are available in three color-coded models. Each clearly marked for use with either water, fuel or waste. Easy-open cap is fitted with nylon retainer cord and rubber 'O'-ring to ensure a safe and efficient seal. Suitable for 1-1/2"(38.1mm) I.D. hose.



Deck Flange is 4"(101.6mm) dia. Cutout: 2-1/8"(53.97mm)
Hose Barb Length: 3"(76.2mm)

Part No.	Model No	For use with:
907002	MF 830 F	Fuel
907003	MF 830 W	Water
907004	MF 830 WST	Waste
153000	Waste Adapter for 1.5"(38.1mm) threads	

Utility Drain D-1

Fully threaded acetel utility drain.
Thread length: 1-3/8"(34.92mm)
Thread size: 1"(25.14mm)



Part No.	Model No
907028	D-1

Drain Plug

Molded from Forespar's Marelon® and fitted with a neoprene seal; the Forespar® Drain Plug is carefully designed to not deteriorate and crack with age.



Part No.	Model No
907001	MF 790

Sink Wastes

Available in straight and 90° configurations, these drains are designed for 1" and 3/4" tubing. Models SW-3, SW-4 and SW-6 are bright chrome plated, non-corrosive plastic.

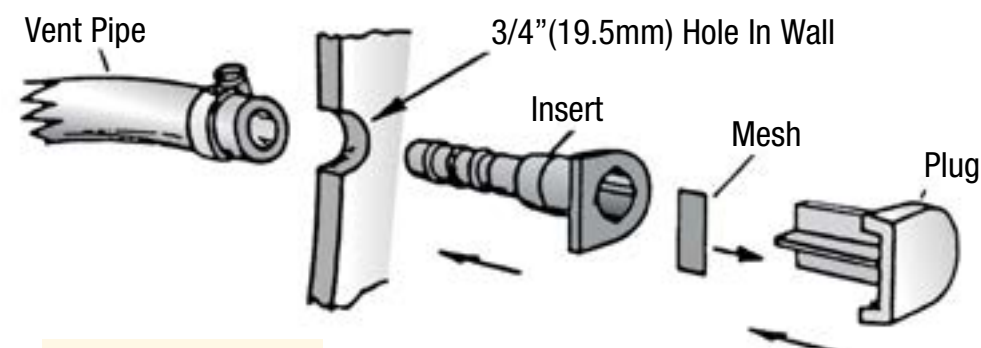


Part No.	Model No.	Tail	Flange	Cut-Out	OD
907000	SW-1	Straight—For 1"(25.14mm) I.D.	1-3/4"(44.45mm)	1-5/16"(33.33mm)	2 7/16" x 2 7/16" x 1 5/8"
907014	SW-2	90°—For 1"(25.14mm) I.D.	1-3/4"(44.45mm)	1-5/16"(33.33mm)	3 3/16" x 2" x 2 1/2"
907015	SW-3	Straight—1-1/2"(38.11mm) screw	2-7/8"(73.02mm)	2"(50.8mm)	3" x 3" x 1 3/4"
907016		Replacement Sink Stopper			
907017	SW-4	90° - For 1"(25.14mm) I.D.	2-7/8"(73.02mm)	2"(50.8mm)	3 3/4" x 3" x 4 1/8"
907013	SW-5	(same as SW-1, for 3/4"(19.05mm) I.D.)	1-3/4"(44.45mm)	1-5/16"(33.33mm)	2 7/16" x 2 7/16" x 1 51/64"
907022	SW-6	Straight—For 1"(25.14mm) I.D.	2-7/8"(73.02mm)	2"(50.8mm)	3" x 3" x 3 1/8"
907027	SW-7	(same as SW-6, for 3/4"(19.05mm) I.D.)	2-7/8"(73.02mm)	2"(50.8mm)	3" x 3" x 3 5/16"

Tank Vent

A new idea in fuel tank vents. For hulls with solid cores only. Unit press-fits into 3/4"(19.5mm) hole without the need of a nut. The stainless steel screen will not corrode and has no plating to chip.

Typical Tank Vent Installation



Part No.	Model No.
907029	MF 610



For 5/8"(15.87mm) hose.

LEISURE FURL™ IN-BOOM FURLING

Leisure Furl booms are custom made to order in the United States. Forespar is backed with 30+ years of experience and a reputation for delivering the highest quality spars and booms for the blue water cruisers and everyday sailors alike.

Why Should I Choose Leisure Furl?

Safety - With all lines leading aft, Leisure Furl gives you the ability to reef and control the main from the safety of the cockpit. Leisure Furl eliminates the need for complicated lazy jacks or sending crew forward in heavy weather.

Ease of Use - Hoisting, furling or reefing is a one-person operation.

Reefing - Allows infinite reefing positions on all points of sail.

Appearance - The sail furls neatly and compactly into the boom, protecting the sail from harmful ultraviolet rays. Each boom is elegantly tapered for good looks and weight-savings.

Learn More
leisurefurl.com

SAIL-SHAPING ADVANTAGES OF LEISURE FURL

- 1 Leisure Furl's built-in controls ensure that sail shape is maximized when at full hoist or furled. They allow for efficient and uncompromising performance from all points of sail and enable infinite reefing positions.
- 2 Leisure Furl allows mainsail control at any point of hoist. A perfect sail shape is ensured by the built-in sail controls.
- 3 Leisure Furl offers complete control over foot shape and luff tension, without the need of a cunningham or outhaul. Full-length battens give shape and power to even an old sail.
- 4 Leisure Furl enables a full roach in most cases, as opposed to the hollow cut leeches of most in-mast systems.

Able To Accommodate Large Roach Mainsails As Used On Multihulls.



ADVANCED MAINSAIL MANAGEMENT™

THE SMART CHOICE FOR BOATS 30' - 75'

Over 4,000 systems in use, making ocean passages all over the world in all sea conditions. After years of development, Leisure Furl is a highly efficient, safe and simple method of reefing and controlling the mainsail. The Forespar Leisure Furl is developed, marketed and built by a spar builder of the highest reputation.



Photo by: Drew Stauffer

Limited 5-Year Warranty

When I ordered my new Catalina 42 this spring, I investigated boom-furling systems. I quickly learned that Leisure Furl is the leader. I have not been disappointed in my choice. Our Leisure Furl boom reefs and furls beautifully and the tapered profile is very good looking.

Sincerely,
Cal Marks (Marina del Rey)

Leisure Furl™ Options Include

- Aluminum Construction
- Carbon Fiber Construction
- Hydraulic or Electric Drive
- Anodized or painted in any Awlgrip® Color



SAILKOTE
RECOMMENDED
FOR LUFF TRACK
AND BOLT ROPE
APPLICATIONS

Leisure Furl™ FEATURES

- Each boom is custom engineered and fabricated for your boat
- Each boom is elegantly tapered for attractiveness and weight savings
- Easily fitted to an existing mast without the need to unstep your mast
- Spar grade 6005 T5 heat treated aluminum alloy extrusions for superior strength
- All gooseneck fittings are high-strength 17-4 investment cast stainless steel



Built-in Sail Cover

Each Leisure Furl™ boom comes standard with a built-in sail cover for convenience and ease of handling. The Sunbrella® sail cover protects the sail from the harmful elements.



Manual Override

Each offshore system has a built-in manual backup in case of halyard or furling line failure. Winch handle control is easily accomplished at the mast. The internal ratchet allows the system to be locked in place for long passages.



Load Points

Leisure Furl's unique design offers 3 separate load bearing points. The mainsail and boom loads are distributed primarily to the mandrel and drive shaft bearing while the mainsheet and vang loads are carried by the gooseneck fitting.

FORESPAR®

MARINE PRODUCTS THAT PERFORM

OVERSEAS AGENTS & DEALERS

AUSTRALIA
DECKHARDWARE MARINE SOLUTIONS
F5 122-126 Old Pittwater Rd
Brookvale NSW 2100
Tel: 61 (0) 2 9905 9400
Fax: 61 (0) 2 9905 9455
www.deckhardware.com.au
email: sales@deckhardware.com.au

AUSTRIA
ALLTECKNIK-ALLROUNDMARIN
Rheinboldstrasse 11-13
A2362 Biedermannsdorf b
Wien, Austria
Ph: (43) 02236-64676
Fax: (43) 02236-63135
email: a.rigal@allroundmarin.com

CARIBBEAN
F.K.G. MARINE RIGGING
Box 5011 Phillipsburg
37 Wellington Road, Cole Bay
St. Maarten, Netherland Antilles
Ph: (5995) 44732
Fax: (5995) 42171
email: kevin@fkg-marine-rigging.com

BUDGET MARINE - N.A.
25 B Waterfront Road, Cole Bay
St. Maarten, Netherland Antilles
Ph: 599-544-3134
Fax: 599-544-4409
email: sales@budmar.an

BUDGET MARINE - ANTIGUA
Jolly Harbour Boatyard
Bolans, Antigua, West Indies
Ph: 268-462-8753
Fax: 268-462-7727
email: sales@budmar.ag

BUDGET MARINE - BON AIRE
Kaya Carlos A. Nicolaas 4
Kralendijk, Bonaire, Netherland Antilles
Ph: 599-717-3710
Fax: 599-717-3523
email: peter@budgetmarinebonaire.com

BUDGET MARINE - GRENADA
L'ANSE AUX EPINES
Prickly Bay, St. Georges, Grenada
Ph: 473-439-1983
Fax: 473-439-2037
email: budmarGD@caribsurf.com

BUDGET MARINE - ST. MARTIN
L'ILE MARINE
Sandy Ground Bridge
Rue Lady Fish
Saint Martin, F.W.I.
Ph: 590-290860
Fax: 590-290896
email: l.ile.marine@wanadoo.fr

BUDGET MARINE - U.S.V.I.
VITRACO PARK P.O. Box 7937
St. Thomas, U.S.V.I. 00801
Ph: 340-774-2667
Fax: 340-774-2667
email: budmarsl@islands.vi

BUDGET MARINE - TRINIDAD
WESTERN MAIN ROAD
Chagaramas, Trinidad, West Indies
Ph: 868-634-2006
Fax: 868-634-4382
email: sales@budmar.co.tt

ISLAND WATER WORLD
WELLSBURG STREET #1
Cole Bay, St. Maarten
Dutch Caribbean
Ph: 305-594-0797
email: purchasing@islandwaterworld.com

CHINA
AEGIS MARINE INTERNATIONAL INC.
898 WEST 16TH STREET
Newport Beach, Ca. 92663
Ph : 949-631-3014
Fax: 949-631-0313
email: info@mmmarine.com

DENMARK
RIGGERNE
Ostre Kajgade 9
5700 Svendborg
Ph: +45 317 930 01
Email: fk@riggerne.com

UNITED KINGDOM
AQUAFAX LTD.
1 Dencora Way
Sundon Business Park,
Luton, Beds LU3 3HP
Tel: (01582) 568700
Fax: (01582) 568720
Email: sales@aquafax.co.uk

AQUAFAX LTD. (HAMBLE)
1-2 Mitchell Point
Ensign Business Park
Hamble,
Southampton, SO31 4RF
Tel: (023) 8045 7206
Fax: (023) 8045 7208

AQUAFAX LTD. (GLASGOW)
103 Barrie Road,
Hillington Park,
Hillington,
Glasgow, G52 4PX
Tel: (0141) 8827511
Fax: (0141) 8835111
e-mail ianh@aquafax.co.uk

AQUAFAX LTD. (MIDDLEWICH)
Unit 11 Valley Court
Sanderson Way,
Middlewich,
Cheshire, CW10 0GF
Tel: (01606) 841111
Fax: (01606) 841188

AQUAFAX LTD. (WROXHAM)
Unit 31 Stalham Road Ind Est,
Littlewood Lane,
Hoveton,
Norfolk, NR12 8DZ
Tel: (01603) 781881
Fax: (01603) 781981

AQUAFAX LTD. (PLYMOUTH)
Unit 5 Plymouth Trade Park
22 Macadam Road,
Plymouth, PL4 0RU
Tel: (01752) 669944
Fax: (01752) 667764

IMP (SAIL)
R024 3-4 Jarman Way
Royston
Hertfordshire. SG8 5FE
Ph: (44) 1763-2413000
Fax: (44) 1763-241700
Email: sales@improducts.co.uk
Web Site: www.improducts.co.uk

EGYPT
MAPSO
P.O. Box 2643
44 Industrial Zone,
Cairo-Ismaillia Desert Rd
Cairo, 11769 Egypt
Ph: +202 2698 4777
Fax: +202 2699 0780
Email: aymanraafat@mapso.com
Web Site: www.mapso.com

FRANCE
NAUTEX
Le Sextant N°7
1 rue de la Trinquette
17000 La Rochelle
Ph : +33 (0)546 52 01 04
Email : info@nautex-international.com

SEIMI
Le Sextant N°7
75, rue Amiral Troude
29200 Brest
Ph : +33(0)298 46 11 02.
Email : info@seimi.com

GERMANY
SAILTEC VERTRIEBS GmbH
Hasselbinnen 28
D-22869 Schenefeld Bei
Hamburg, Germany
Tel: +49 (0)40 822 994 45
Fax: 49 40 830-4279
Email: cg@sailtec.de

GREECE
TECREP
38 Akti Moutsopolou 185
36 Piraeus
Greece
Ph: (30) 1-452-1647
Fax: (30) 1-418-4280
email: tecrep@acropolis.net

NAUTILUS S.A.
Aristotelous 20. Alimos
Athens
Ph: +30 210 9849997
email: order@nautilus.gr

ISREAL
OFEK YACHTS
Ha-Shunit St 2, Arena Mall, Herzliya
Phone: 09-8009988
Fax: 09-8009990
E-mail: info@ofek-yachts.o.il
Mobile (Gadi - Sales and service): 052-4687500

ITALY
TOMASONI FITTINGS SRL
Via G. Marconi 59
16010 Savignone (GE)
Italy
Ph: +39 (0)10 9761106
Fax: +39 (0)10 9769470
email: info@tomasoni.it" info@tomasoni.it

JAPAN
INDUSTRIAL SUPPLIERS
The Craft Dome 4F/5F
2-1-23 Kaigan, Minato-Ku
Tokyo, 105 Japan
Ph: (81) 35-443-8231
Fax: (81) 33-450-2172
email: sales@isco.co.jp

NETHERLANDS
BE LSHIP
Krommewetering 61A
3543 AM - Utrecht
Netherlands
Ph: 0031 (0)30 240 8040
Fax: 0031 (0)30 240 8041
email: team@belship.nl

NEW ZEALAND
KZ MARINE (SAIL)
39 Vesty Drive
Mt. Wellington, Auckland
New Zealand
Ph: (64) 9 573-1939
Fax: (64) 9 573-1959
email: rick@kzmarine.co.nz

NORWAY
NORWAY MARINE SUPPLY
Aasbievein 11
N488 Arendal
Norway
Ph: +47 37000370
Fax: +47 38701274
Email: supply@maritim.no
Web Site: www.maritim.no

SOUTH AFRICA
CENTRAL BOATING
85 Bree Street
Cape Town 8001
South Africa
Ph: (27) 021-24-8026
Fax: (27) 021-24-2564
email: david@centralboating.co.za

SPAIN
TACK-VELAS
Carrer Narcis Monturiol n°35
08339 Vilassar de Dalt
Barcelona
Ph: (34) 93-221-8212
Fax: (34) 93-221-8950
email: info@tackvelas.com

SWEDEN
BENN'S MAST & RIGGING
Prastkragens Vag 20
13245 Saltjo-Boo
Sweden
Ph: +46 8 556 147 00
Fax: (46) 8 663-9894
email: christoffer@benns.se

HARKEN
Vastmannagatan 81b
13245 Saltjo-Boo
113 26 Stockholm
Ph: +46 8 222 200
email: fredrik@harken.se

TAIWAN
ING-HAI
Room 508 # 9, Lane 83
Chung Shan North Road, Sec. 1
Taipei, Taiwan, R.O.C.
Ph: (886) 2 25312088
Fax: (886) 2 25236531
email: inghai@tpts6.seed.net.tw

TURKEY
MARINE EFFECTS
Caferaga Mh. Muhurdar Cd.
Kapitan Is Mrk. No:48/21 Kat:3
Kadikoy 34710,
Istanbul, Turkey
Ph: +90 216 447 0962
Fax: +90 216 447 3363
email: alkingulcan@marineeffects.com
Web site www.marineeffects.com

Forespar, forespar.com, Cargo Mate, Hoyt Boom, Hoyt Jib Boom, LanoCote, Leisure Furl, Lightning Master, Line Control, Marelon, MareLube, Mini-Galley, Motor Mate, Nash Labels, Nova Davit, Nova E2-Board, Nova Lift, OceanRacer, Radar Spar, Railfast, ReFresh, Roll-X, Safe-T-Plug, Sail Saver, Smart Valve, Smart Valve ROV, Spectra, StaFAST, TEFAST, Tri-Reacher, Ultra Series, Yacht Rod and words marked with a ® or ™ symbol and other Forespar.com graphics, logos, page headers, button icons, scripts, and service names are trademarks, registered trademarks or trade dress of Forespar in the U.S. and/or other countries. Forespar's trademarks and trade dress may not be used in connection with any product or service that is not Forespar's, in any manner that is likely to cause confusion among customers, or in any manner that disparages or discredits Forespar. All other trademarks not owned by Forespar that appear in this catalog are the property of their respective owners, who may or may not be affiliated with, connected to, or sponsored by Forespar.

REPLACEMENT PARTS

AWNING POLES

For TAP 3-6, TAP 4-8, 6-12, 5-10 HD and 6-12 HD

Part No.	Model No./Description	300026	Repair Kit
504003	End Kit	400006	Lock Repair Kit
		404010	7/8" inner tube w/ lock
		504002	1" outer tube

MAST CARS

AT-125-S/T-125-S

Part No.	Model No./Description	ADJ 6-12	Part No.	Model No./Description
333010	Toggle/Knuckle assembly	300027	Repair Kit	
331013	Plastic Runners	400008	Lock Repair Kit	
		406015	1 1/8" inner tube w/ lock	
		406001	1 1/4" outer tube	

FC-125/FC-125-SP

Part No.	Model No./Description	HD 6-12 DL	Part No.	Model No./Description
332003	FC Flange only	304015	UEF-3 special inboard end	
332005	Hinge Pin	304018	UEF-5 outboard end	
331013	Plastic Runners	400009	Lock Repair Kit	
		406211	1 3/4" inner tube w/ lock	
		406202	1 7/8" outer tube	

DECK CHOCKS

Part No.	Model No./Description	ADJ 7-17 DL	Part No.	Model No./Description
332007	DC-2 Spool replacement spool only	304018	UEF-5 outboard end	
300005	DC-TS Post replacement post only	304057	UEF-3 inboard end	
		400010	Lock Repair Kit	
		407007	1 3/4" inner tube w/ lock	
		407008	1 7/8" middle tube w/ lock	
		406210	2" outer tube	

DECK FILLS

Part No.	Model No./Description
907024	Red Fuel Cap
907025	Blue Water Cap
907026	Black Waste Cap

SPINNAKER POLES

For EL-150 thru EL-300-EF

Part No.	Model No./Description
408025	Repair Kit

For XP-200 thru XP-450-EF

Part No.	Model No./Description
309080	Repair Kit

For TS-300 thru TS-450

Part No.	Model No./Description
309050	Repair Kit

MAST LIGHTS

Part No.	Description
132009	Replacement Lens ring (new)
132035	Bottom Bulb Assy.

ML-2

Part No.	Description
132009	Replacement Lens ring (new)
132025	WN 211 Top Bulb
132035	Bottom Bulb Assy.
132041	Top Lens and Cap Assy.

LED Bulbs

Part No.	Description
131300	ML-1 LED
132300	ML-2 LED
132325	ML-2 Top bulb-LED
132335	ML-1 & 2 Bottom bulb-LED

RAILFAST®

Part No.	Description
002066	Screw 3/8"
156050	Base-Fiberglass
156052	Bracket strap
156053	Pin-square
156055	Bracket shim-7/8"
156056	Allen wrench
156058	Boss cover

WHISKER POLES

Part No.	Model No./Description
ADJ 4-8	

MARELON® PLUMBING SYSTEM PARTS

Parts No.	Description
930072	Cap/Plug/Bung
930073	Cap/Plug/Bung
930074	Cap/Plug/Bung

LINE CONTROL™ WHISKER POLES

Part No.	Model No./Description
LC 10-18	
401035	EL-250-LC EF

Part No.	Model No./Description
LC 12-22	
402037	EL-300-LC EF
304038	Ultra Collar

Part No.	Model No./Description
LC 13-24	
403104	LCC-1 Collar

Part No.	Model No./Description
LC 15-27	
405102	LCC-2 Collar

TILLER EXTENSIONS

Part No.	Description
104004	TFP - Assembly w/ Socket
104006	TFP - Socket (Receptacle) Only

ULTRA END FITTINGS

Part No.	Description
304029	UXP - Repair Kit
304030	UTR 200 & 250- Repair Kit

SAFETY GEAR

Part No.	Model No./Description
OP-120, OPST-120	Overboard Poles
202026	Flag
202132	Stainless Steel Clip
202020	Replacement Top Half With Flag

CARGO MATE™

Part No.	Description
153230	Deck Flange
153204	Base Mount
153207	33" extension
153232	Plug for Deck Mount
153233	Transom Ring Mount (Power)
153209	Storage Bag

MOTOR MATE™

Part No.	Description
153104	Base Mount
153105	Rail Mount
153107	Bottom Tube only
153109	Vinyl Bag

QUIK DAVIT™

Part No.	Description
153475	Davit Head Kit (sold in pairs)
153476	Dinghy Pad Kit (sold in pairs)
153477	Fast Kit™
153478	Universal Adhesive Kit

NOVA LIFT™

Part No.	Description
153366A	Upper Arm Assembly
152250A	Lower Mount Tube Assembly

THRU-HULL PARTS

Part No.	Description
907007	CF 249 1/2" nut only
907008	CF 249 3/4" nut only
907009	CF 249 1" nut only
907010	CF 249 1 1/4" nut only
907011	CF 249 1 1/2" nut only
907012	CF 249 2" nut only
403125	Small Mold Plug (OEM only)
403135	Large Mold Plug (OEM only)

FORESPAR® PRODUCTS POLICIES & CONTACTS

QUALITY COMPONENTS

Whatever you order, you'll receive more for your money from Forespar®. For example, we only use Spectron 12" composite line on our bridles and heavy duty vinyl on our lanyard wire, not the thin coated type for sailmakers. Our castings are prime type 356 aluminum alloy, heat treated to T-6 condition for strength and a higher coefficient of elongation. This means a reduction in brittleness without reducing the heat treated strength.

SUPERIOR ANODIZING

The clear anodizing used on our tubing meets military specifications, which means approximately three times the coating thickness of "commercial" grade anodizing. Our end fittings, where corrosion resistance is particularly important, are carefully machined, extensively deburred and then finished with a high quality, hard coat finish of 2 mil. minimum thickness anodizing. Our fittings are not dyed, painted or stained to cover up lesser quality, and we invite you to compare Forespar® fittings with those of any other manufacturer.

ORDERING OPTIONS

IMPORTANT - There are three distinct ways to order our spinnaker poles, reaching struts and jib booms.

1. CUSTOMIZED: Poles may be ordered to the specific length required for your boat. Simply specify our Model No. and the exact overall length required.

2. "KIT" FORM: Everything for a complete pole job is included in our "Kit" packages. The tubing is supplied in the maximum length recommended for the particular diameter ordered. One end fitting is left unfastened so that the tubing can be cut to length, before final customizing. By keeping an inventory of kit poles, you can quickly and easily customize them to whatever length your customer requires. This eliminates "single item" freight costs and keeps your customer happy with fast immediate service.

3. FITTINGS AND TUBING: If you have the know how, and the simple tools necessary, you can order the component parts and save money by doing the assembly yourself. Simply specify the model numbers of the end fittings and tubing sizes required.

PACKING

Every boom or strut is individually packed in its own shipping container for maximum protection and a "new" look when it arrives at its destination. Multi-packed items are protected by individual polyethylene bags.

CONTACTS

PHONE:	949.858-8820
FAX:	949.858-0505
WEBSITE:	www.forespar.com
EMAILS	

Customer Service:	sales@forespar.com
Leisure Furl:	tomp@forespar.com

Forespar® is a registered trademark of Forespar Products Corporation. Product pricing, design and specifications subject to change without notice.

Catalog Design by Broad Reach Marketing (414) 719-5368

RETURNED MERCHANDISE

No returns will be accepted without prior agreement from Forespar® including instructions on method of shipment and return authorization number. Customized merchandise is not returnable. Any unused, undamaged merchandise accepted for return will be subject to a 20% return and handling charge.

REPAIRS

Repairs necessary due to accident, misuse or normal wear and tear, will be made at customer's request. Charges for such repairs will include published price of replacement parts and reasonable labor costs. All merchandise being returned for repair must be shipped prepaid and include return address and repair instructions.

A Return Authorization Number from our Customer Service department is required.

LIMITED WARRANTY

1 Forespar Products Corp. warrants all products manufactured by it to be free from defects in material and workmanship under normal use and with normal maintenance for a period of thirty six (36) months from the date of initial retail sale*. The Limited Warranty is extended only to the original retail purchaser and does not run to any subsequent purchaser. Proof of purchase is required.

2 It is a condition of this Limited Warranty that the product has been given reasonable care, and that damage has not resulted from improper installation, accident, negligence, misuse including undersized for performance required or from unauthorized alterations.

3 All claims under this Limited Warranty must be made directly to Forespar Products Corp. at the address set forth within thirty (30) days after discovery of the defect. Forespar Products Corp. may require any product to be returned to its factory for examination, transportation charges prepaid.

4 The obligations of Forespar Products Corp. under this Limited Warranty are limited to repairing or replacing such products which shall be determined by Forespar Products Corp. to have been defective in materials or workmanship. Forespar Products Corp. does not under any circumstances assume responsibility for any incidental or consequential damages incurred in connection with the use of its products.

5 Forespar Products Corp. reserves the right to improve its products through changes in design and material without incurring any obligation to incorporate such changes in products already completed or in the hands of purchasers.

6 EXCLUSION OF WARRANTIES: This Limited Warranty is in lieu of all other express Warranties, and shall expire thirty six (36) months from the date of initial retail sale. Any implied Warranty, including the Warranty of Merchantability and fitness for a particular purpose, is limited to the duration of this Limited Warranty.

7 Some states do allow limitations on how long an implied Warranty lasts or the exclusion of incidental or consequential damages, so the above limitations or exclusion may not apply to you. This Warranty gives you specific legal rights and you may also have other rights which vary from state to state.

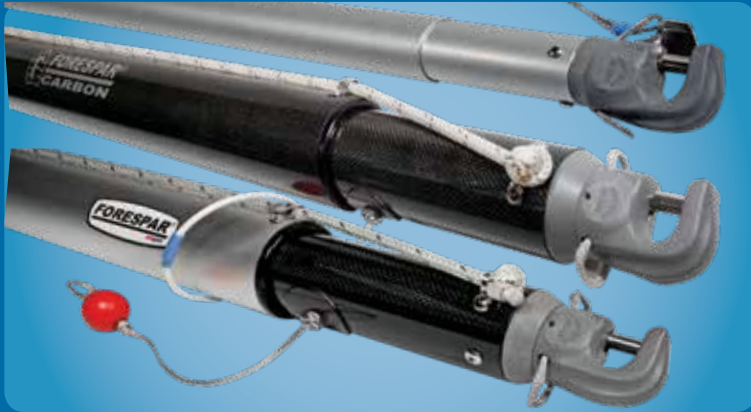
8 The following items are excluded from this warranty: Spar Systems and Electrical Bulbs (mast lights & strobe lights).

*Some products are subject to limitation of warranty duration and are so identified in the product description.



Forespar Corporate Headquarters

POWER BOAT & SAILBOAT EQUIPMENT



FORESPAR® PERFORMANCE PRODUCTS

22322 Gilberto, Rancho Santa Margarita, CA 92688 - USA
Ph: 949.858.8820 • www.forespar.com

Catalog Price
\$2.00