

MATERIAL: Acrylic Tempered Glass
Please note Glass not available for Deck Hatch orders

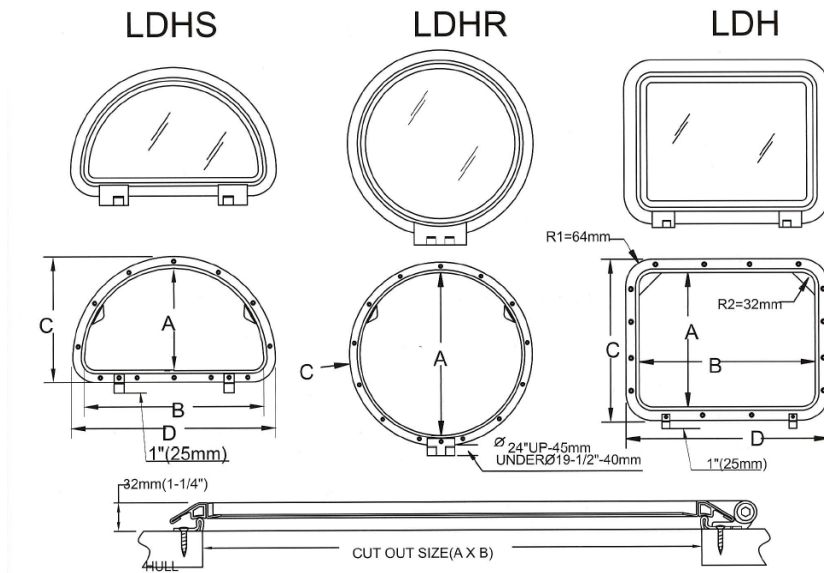
COLOUR: *Acrylic:* Tanned (standard) Clear Tint Green

Glass: Clear (standard) Tanned Tint Blue Tint Green

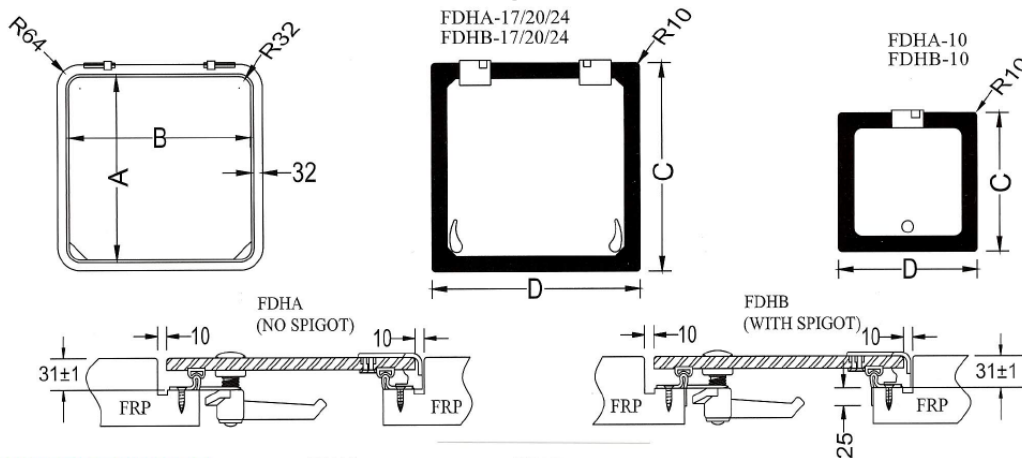
THICKNESS: _____ **QUANTITY:** _____

OTHER: _____

Hatches should be fitted to a flat surface with a maximum tolerance of +/- 2mm.



Fricative Hinge Flush Hatch



Email: phil@deckhardware.com.au

DeckHardware
Factory 5, 122-126 Old Pittwater Rd, Brookvale NSW 2100
Ph 61 2 9905 9400
Email: info@deckhardware.com.au Web site: www.deckhardware.com.au