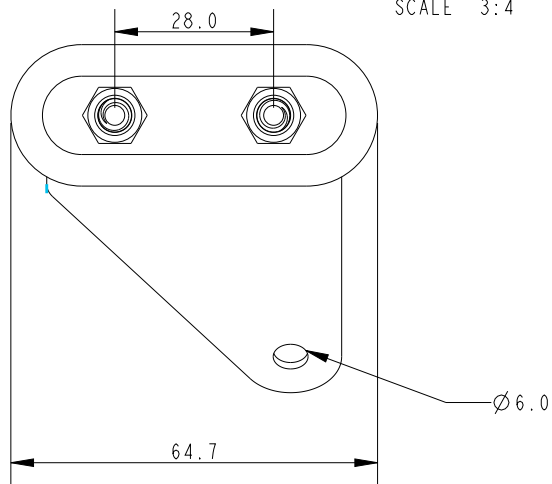


SCALE 3:4



SCALE 3:4

DIMENSIONS FOR REFERENCE ONLY
allenbrothers.co.uk
+44(0)1621 772477

Specification					
Rod Size mm	Fixing Hole Centre mm	Height mm	Thread Length kg	Weight of One g	Inside Dia. mm
6	28	80	25	100	22

Title	Description
A4512-REF	U Bolt With Lower & Bottom Backing Plate