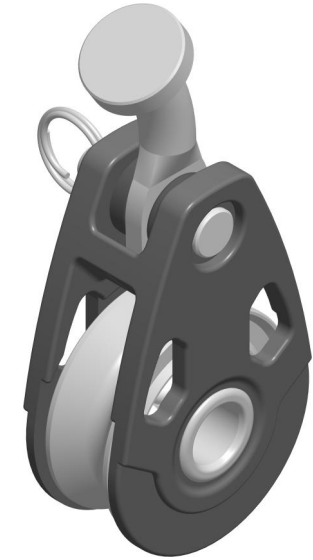
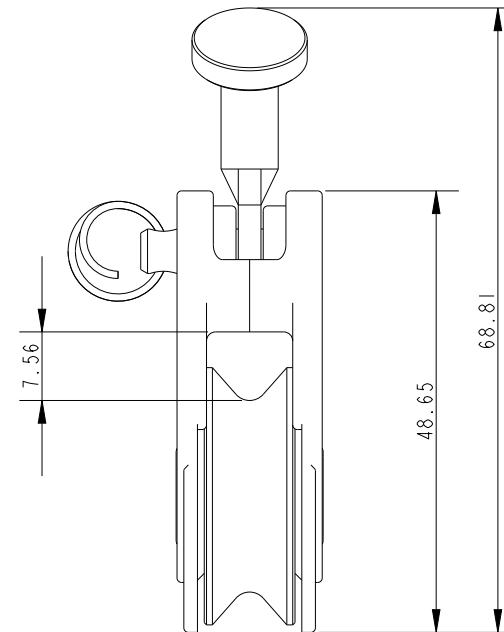


SCALE 6:5



SCALE 6:5

**Specification**

Length mm	Line Diameter mm	Clevis Pin mm	Breaking Load kg	MWL kg	Weight g
69	8	5	1000	500	43

**DIMENSIONS FOR REFERENCE ONLY**  
 allenbrothers.co.uk  
 +44(0)1621 772477

Title	Description
<b>A9031-873-REF</b>	30mm Titanium Block with Vang Key