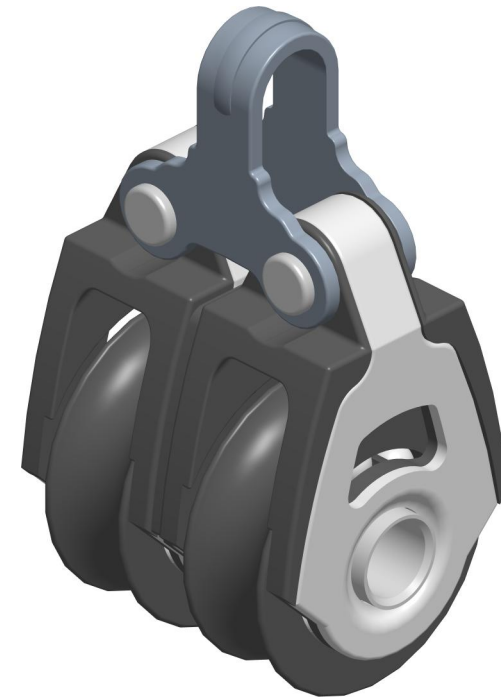
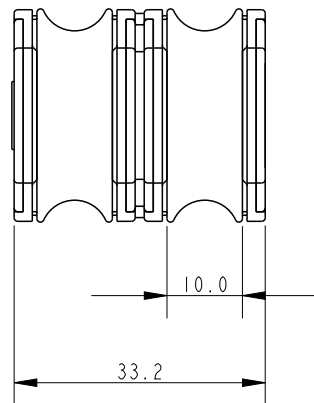


SCALE 1:1



SCALE 3:2

DIMENSIONS FOR REFERENCE ONLY
 allenbrothers.co.uk
 +44(0)1621 772477

Specification						
Length mm	Line Diameter mm	Shackle Pin mm	Breaking Load kg	MWL kg	Weight g	Bearing Detail
64	8	-	1250	280	72	Stainless Steel

Title	Description
A2032-REF	Double