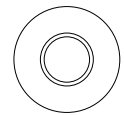


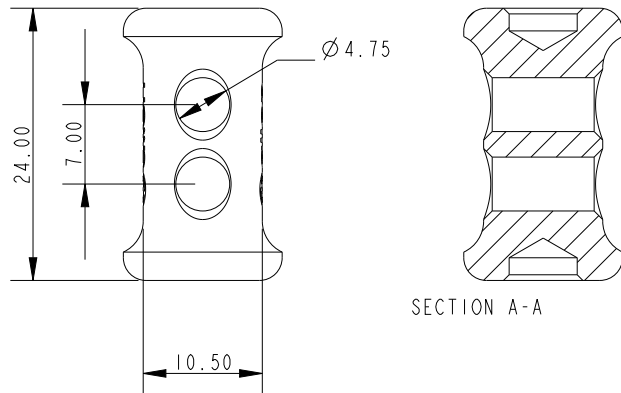
SCALE 3:2



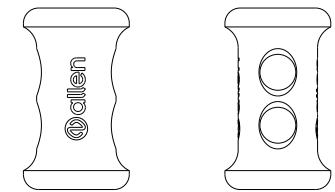
SCALE 3:2



SCALE 1:1



SECTION A-A



Available Anodised Black or Blue

### Specification

Length mm	Maximum Outer Diameter mm	Minimum Outer Diameter mm	Rope Diameter mm	*Safe Working Load kg	*Breaking Load kg	Weight g
24	14	10.5	4	550	1100	5.2

**DIMENSIONS FOR REFERENCE ONLY**  
 allenbrothers.co.uk  
 +44(0)1621 772477

Title	Description
<b>A9604-REF</b>	<b>Tii Bone 4mm</b>