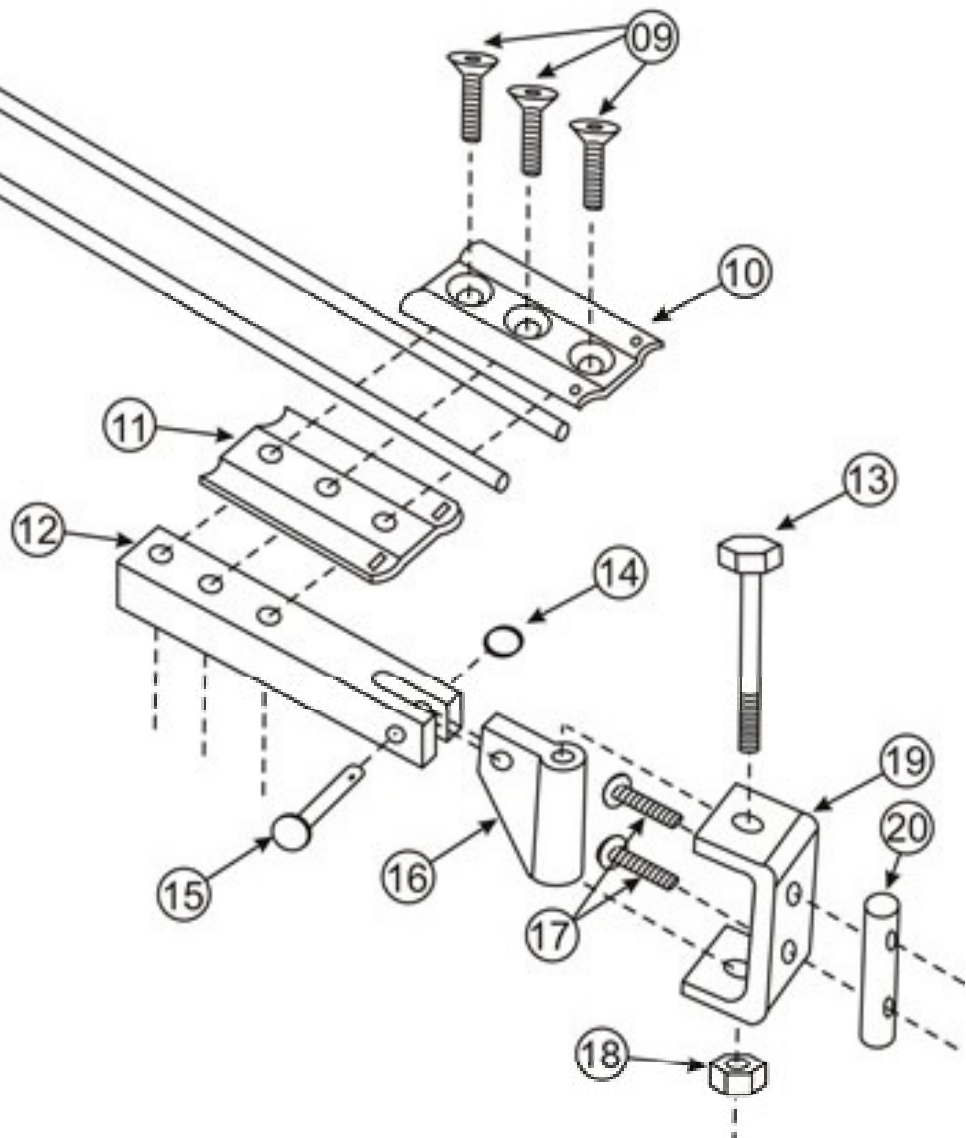
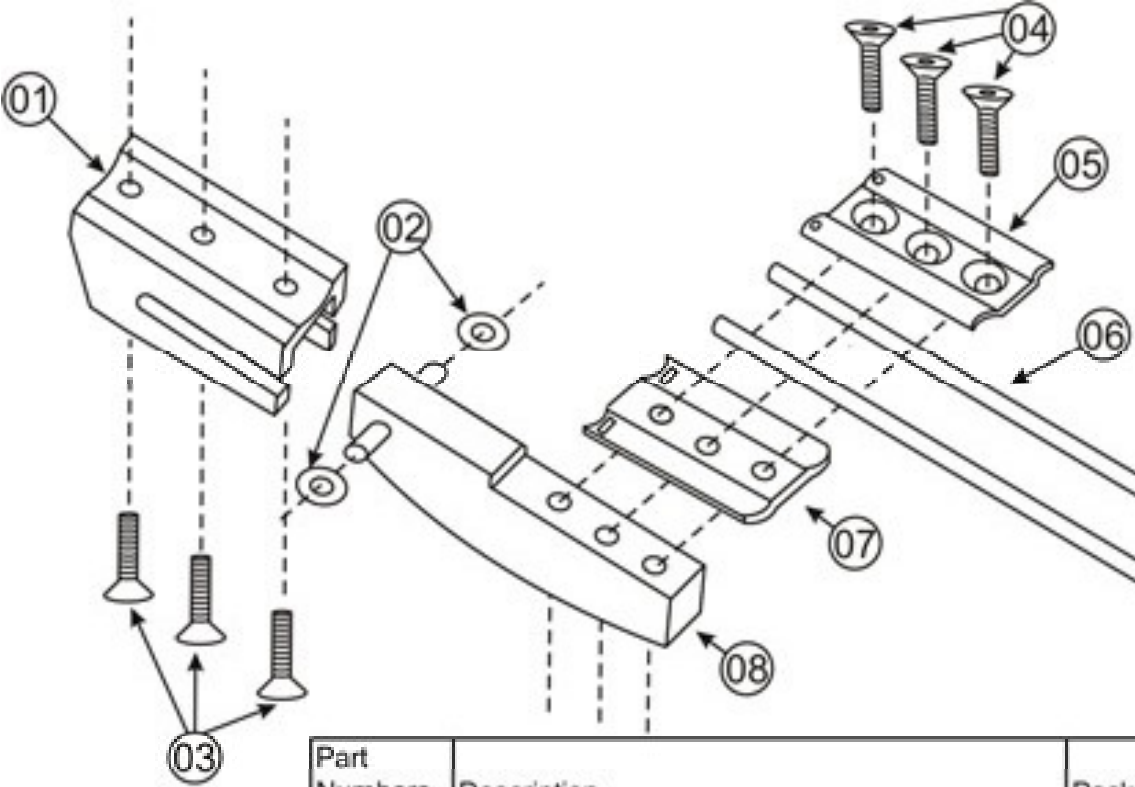


Part number 44035

Boomstrut for boats 30ft/9m to 35ft/10.5m



| Part Numbers | Description | Pack Qty |
|--------------|--|----------|
| 44035-01 | Boom channel | 1 |
| 44035-02 | Washers | 2 |
| 44035-03 | Boom channel fixing screws M8 X 30mm CSK | 3 |
| 44035-04 | Top clamp fixing bolts M8 X 40mm CSK | 3 |
| 44035-05 | Top clamp upper | 1 |
| 44035-06 | Rods | 2 |
| 44035-07 | Top clamp lower | 1 |
| 44035-08 | Boom extension finger | 1 |
| 44035-09 | Lower clamp fixing bolts M8 X 40mm CSK | 3 |
| 44035-10 | Lower clamp upper | 1 |
| 44035-11 | Lower clamp lower | 1 |
| 44035-12 | Fork section | 1 |
| 44035-13 | Goose neck bolt M8 X 75mm | 1 |
| 44035-14 | Split ring | 1 |
| 44035-15 | Clevis pin 8mm Dia x 28mm | 1 |
| 44035-16 | Goose neck triangle | 1 |
| 44035-17 | Mast fixing screws M8 X 30mm | 2 |
| 44035-18 | M8 nyloc nut | 1 |
| 44035-19 | Mast S/S channel | 1 |
| 44035-20 | Luff groove rod | 1 |