

antal

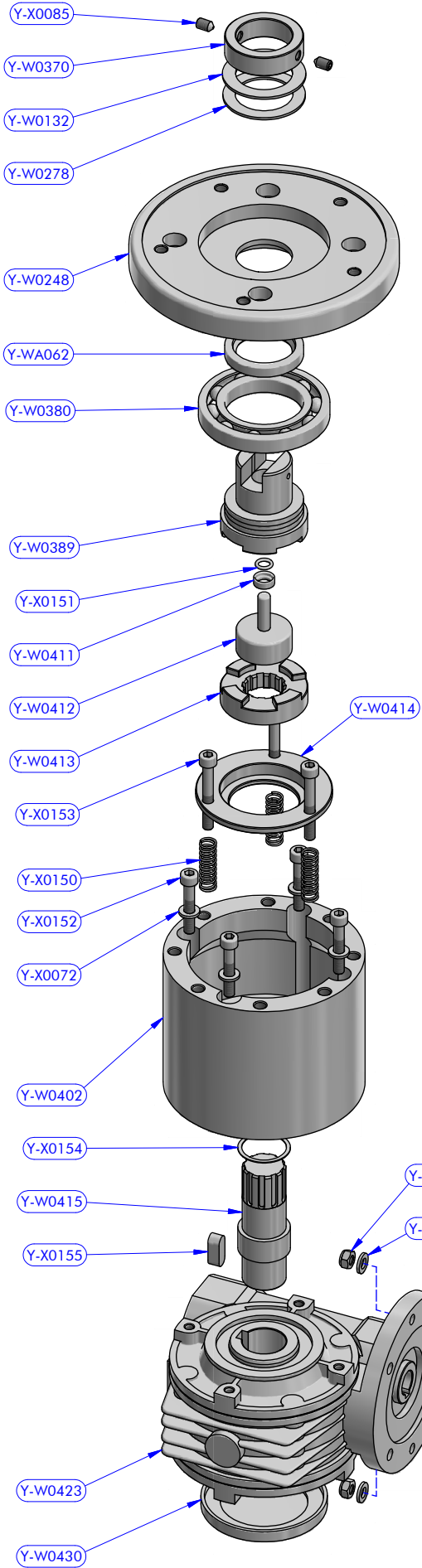
FAMILY	Winches	ARTICLE	XT series
DESCRIPTION	Exploded view		

MODEL CODE	XT40 / AL powered version
------------	-------------------------------------

DATE	30/01/2018	REV.	03
DWG N.	17050402	PG.	1 / 2

PART LIST

CODE	DESCRIPTION	MATERIAL	Q.TY
B4219	Roller bearing	Plastic / S.Steel	1
B7020	Roller bearing	Plastic / S.Steel	1
B7035	Roller bearing	Plastic / S.Steel	1
Y-W0002	Upper ring	S.Steel	1
Y-W0005	Upper ring washer	Plastic	1
Y-W0014	Stripper	Plastic	1
Y-W0038	ST central disk	Aluminium	1
Y-W0044	ST lower disk	Aluminium	1
Y-W0074	Stem	Brass	1
Y-W0091	Base	Aluminium	1
Y-W0101	Half-ring	Brass	2
Y-W0141	Pawl	S.Steel	4
Y-W0143	ST plug	Plastic	3
Y-W0154	Pill code	Aluminium	1
Y-W0174	Gear spindle	S.Steel	1
Y-W0176	Gear spindle	S.Steel	1
Y-W0189	Gear lower washer	Plastic	1
Y-W0190	Spindle washer (lower)	Plastic	1
Y-W0206	Gear "A1"	Bronze	1
Y-W0207	Gear "A2"	Bronze	1
Y-W0208	Gear "B1"	Bronze	1
Y-W0209	Gear "B2"	Bronze	1
Y-W0210	Gear "D1"	Bronze	1
Y-W0255	Disengagement rod	S.Steel	1
Y-W0262	Disengagement rod lock ring	S.Steel	1
Y-W0263	Disengagement rod trim ring	S.Steel	1
Y-W0268	Drum washer	Plastic	1
Y-W0270	Shaft washer	S.Steel	1
Y-W0276	ST disk spacer	Plastic	1
Y-W0278	Platic washer	Plastic	1
Y-W0279	Washer	S.Steel	1
Y-W0282	Pipe spacer	S.Steel	1
Y-W0349	Main shaft	S.Steel	1
Y-W0369	Plastic spacer	Plastic	1
Y-W0721	Opening tool	S.Steel	1
Y-W0910	ST arm	Aluminium	1
Y-W0919	ST upper disk	Aluminium	1
Y-W1020	Spindle	S.Steel	2
Y-WA016	Drum	Aluminium	1
Y-X0053	Screw	S.Steel	1
Y-X0062	Screw	S.Steel	4
Y-X0063	Screw	S.Steel	1
Y-X0065	Screw	S.Steel	8
Y-X0075	Circlip (Seeger)	S.Steel	2
Y-X0078	Compression spring	S.Steel	4
Y-X0081	Nut	S.Steel	1
Y-X0082	Set screw	S.Steel	8
Y-X0087	Pawl spring	S.Steel	4
Y-X0156	Set screw	S.Steel	1
Y-X0196	Compression spring	S.Steel	1
Y-X1025	Set screw	S.Steel	1



PART LIST			
CODE	DESCRIPTION	MATERIAL	Q.TY
Y-W0132	Shaft washer	S.Steel	1
Y-W0248	Skirt flange	Aluminium	1
Y-W0278	Platic washer	Plastic	1
Y-W0370	Shaft connection	S.Steel	1
Y-W0379	Shaft sealing ring	NBR rubber	1
Y-W0380	Ball Bearing	S.Steel	1
Y-W0389	Upper coupling	S.Steel	1
Y-W0402	Disengagement box	Aluminium	1
Y-W0411	O-ring cup	S.Steel	1
Y-W0412	Disengagement	Brass	1
Y-W0413	Lower coupling	S.Steel	1
Y-W0414	Thrust ring	Bronze	1
Y-W0415	Gearbox shaft	Brass	1
Y-W0423	Horizontal gearbox	Various	1
Y-W0430	Gearbox cap	Aluminium	1
Y-WA062	Packing ring	NBR rubber	1
Y-X0067	Screw	S.Steel	4
Y-X0072	Washer	S.Steel	6
Y-X0085	Set screw	S.Steel	2
Y-X0150	Compression spring	S.Steel	3
Y-X0151	O-Ring	NBR rubber	1
Y-X0152	Screw	S.Steel	4
Y-X0153	Screw	S.Steel	3
Y-X0154	Washer	Tufnol	1
Y-X0155	Parallel key	S.Steel	1
Y-X0344	O-Ring	NBR rubber	1
Y-X0892	Nut	S.Steel	2

Electric motor:
code Y-W0416 (700W 12V)
code Y-W0417 (700W 24V)