

DVJ *ant* Horizontal Line Wedge

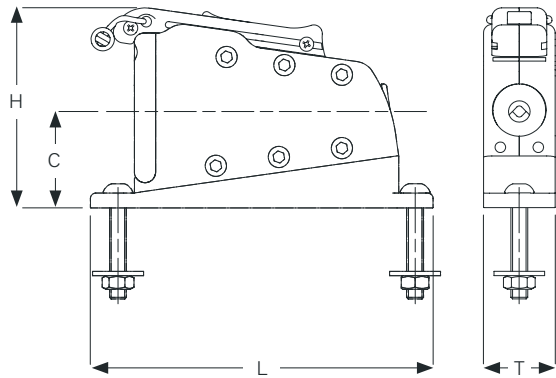
New Horizontal Line Wedge



The DV Series (**Double V-Grip**) jammers are now supplied with an aluminium basic wedge to get the horizontal direction of the line. All models are supplied with mounting screws, nuts and washers.

The **basic wedges** are also available separately to fit models:

- 505.081, 505.101, 505.121, 505.141
- 505.082, 505.102, 505.122, 505.142



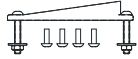
MODEL →	505.088	505.108	505.128	505.148
FOR LINE mm	8	10	12	14
TOTAL HEIGHT (H) mm	94	100	120	125
WIDTH (T) mm	34	34	42	42
TOTAL LENGTH (L) mm	161	183	209	227
LINE HEIGHT (C) mm	45	49	60	62
TOTAL WEIGHT * gr	800	940	1650	1850
SCREWS n x Ø mm	2 x 8	2 x 10	4 x 10	4 x 10
BASIC WEDGE KIT	Y-SA040	Y-SA035	Y-SA036	Y-SA041

* Fixing screws are not included

DVJ *antal* Horizontal Line Wedge

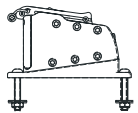
Prices

(VAT excluded)



Basic wedge

MODEL	FOR JAMMER	FOR LINE mm
Y-SA040	505.081/2	8
Y-SA035	505.101/2	10
Y-SA036	505.121/2	12
Y-SA041	505.141/2	14



Jammer + Basic Wedge

MODEL	FOR LINE mm
505.088	8
505.108	10
505.128	12
505.148	14

Contacts

Antal Srl
Via del Progresso, 10
Padova – 35127
Tel. 049 8701265

www.antal.it
antal@antal.it