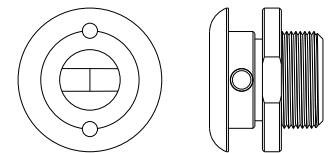
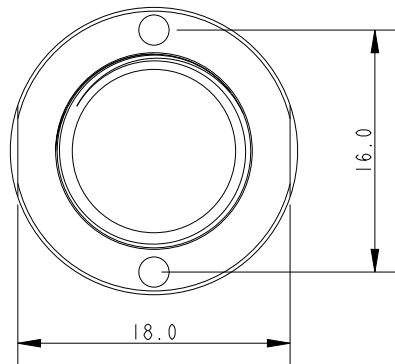
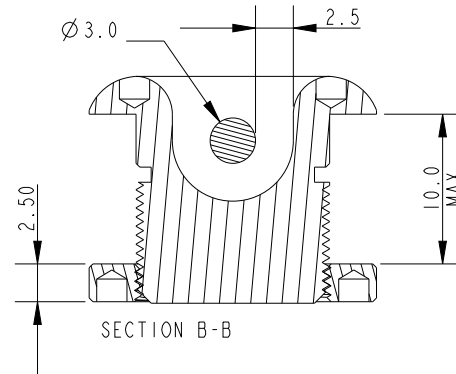
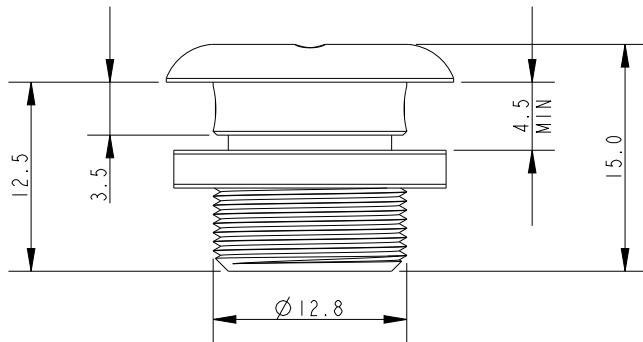


SCALE 2:1



SCALE 1:1

DIMENSIONS FOR REFERENCE ONLY
allenbrothers.co.uk
+44(0)1621 772477

Specification				
Length mm	Line Diameter mm	Breaking Load kg	MWL kg	Weight g
15	2.5	350	250	8

Title	Description
A8839-REF	Small Fixed Pin Pad Tii