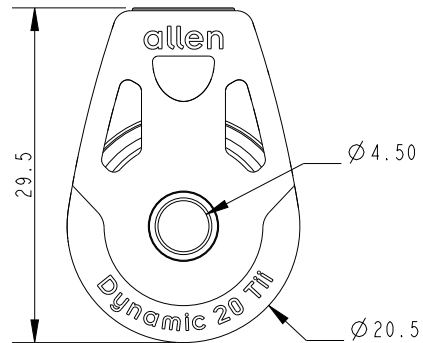
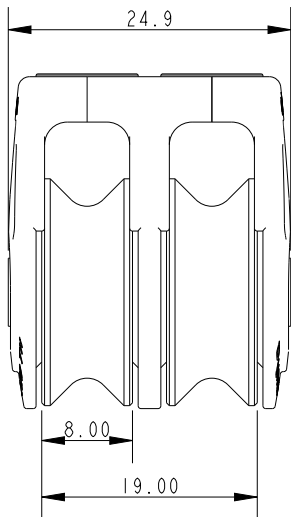


SCALE 3:2



SCALE 5:2

Specification					
Length mm	Line Diameter mm	Breaking Load kg	MWL kg	Weight g	Bearing Detail
29.5	6	600	250	25 (Est)	Stainless Steel Ball

**DIMENSIONS FOR REFERENCE ONLY**  
**allenbrothers.co.uk**  
**+44(0)1621 772477**

Title	Description
<b>A2022TiiHL-REF</b>	<b>20mm High Load Double Tie On</b>