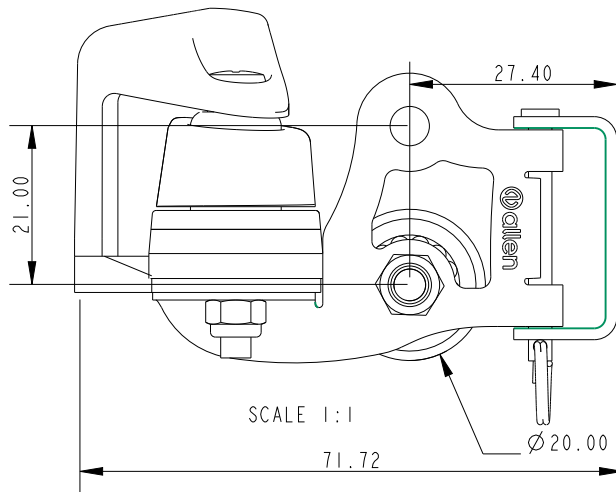
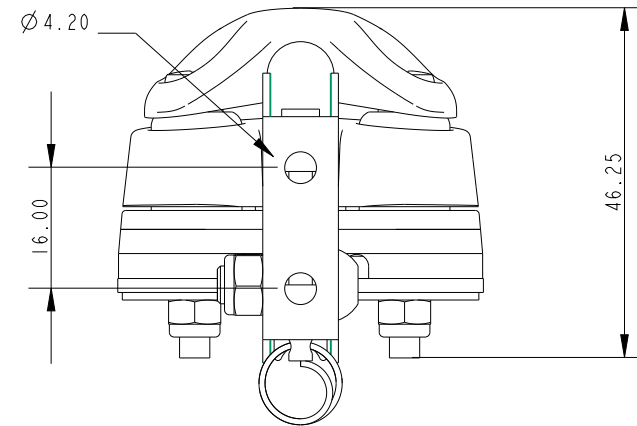


SCALE 1:1



SCALE 1:1



Specification

HWD	Line Diameter mm	Fixing Size	Pitch mm	Breaking Load kg	MWL kg	Weight g
44x48x72	5	M4/N0.8	16	350	100	86

Maximum Working Load (MWL) of A..77 cleat listed

DIMENSIONS FOR REFERENCE ONLY
 allenbrothers.co.uk
 +44(0)1621 772477

Title	Description
A2123-77-REF	20mm Flip Flop with A..77 Cleat