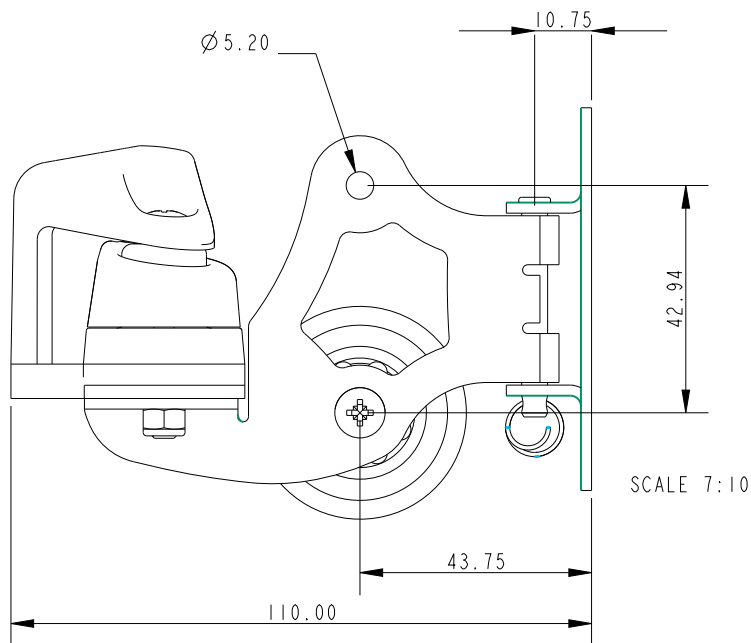
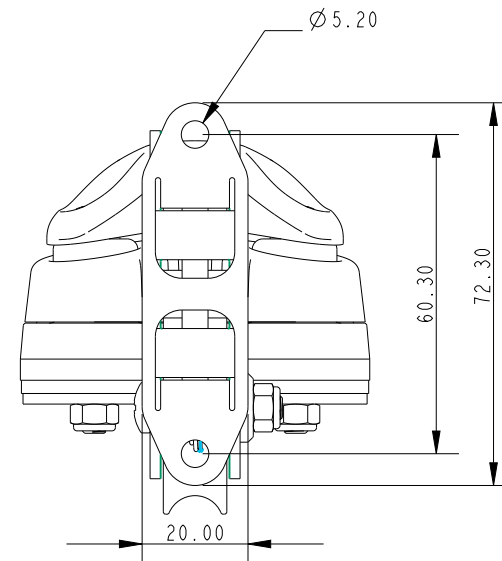


SCALE 7:10



SCALE 7:10



**Specification**

HWD mm	Line Size mm	Fixing Hole Size mm	Fixing Hole Pitch mm	MWL kg	Weight g
72x66x110	4-10	M5/No. 10	60.3	150	210 (Est)

**DIMENSIONS FOR REFERENCE ONLY**  
 allenbrothers.co.uk  
 +44(0)1621 772477

Title	Description
<b>A2143-676-REF</b>	40mm flip flop block with A.676 cleat