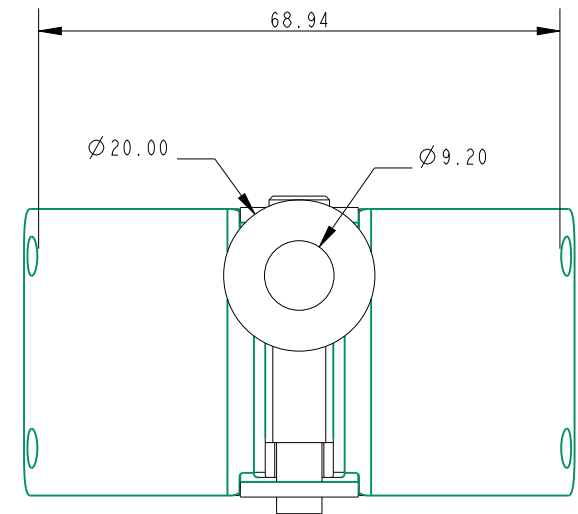
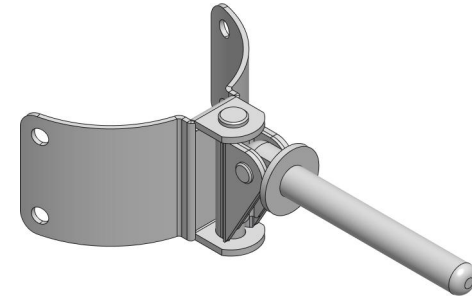


SCALE 1:1



Specification

Fixing Hole Diameter mm	Spar Size mm	Pin/Head Diameter mm	Weight g
5	Ø 60 - 90	9	134 (Est)

DIMENSIONS FOR REFERENCE ONLY
 allenbrothers.co.uk
 +44(0)1621 772477

Title	Description
A1680-REF	Gooseneck Ass with pin