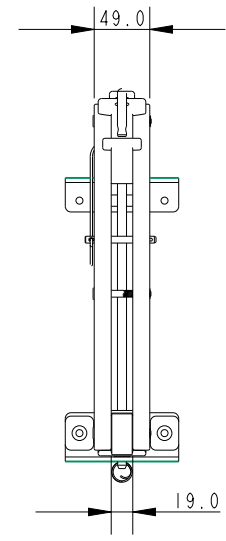
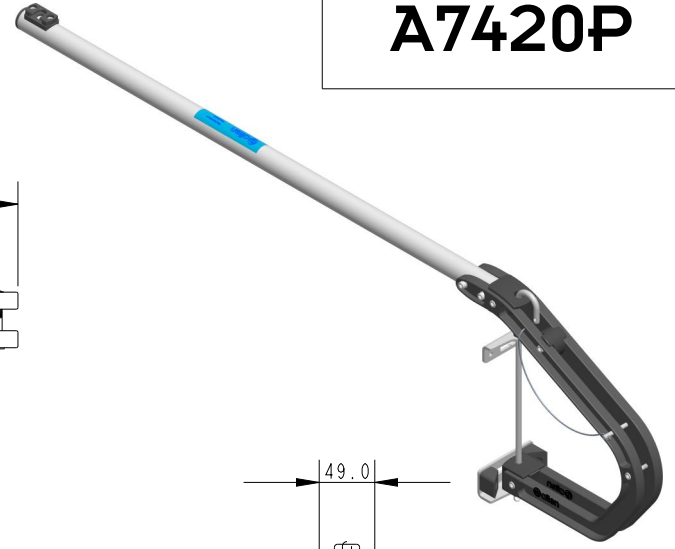
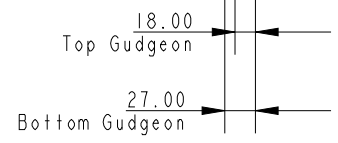
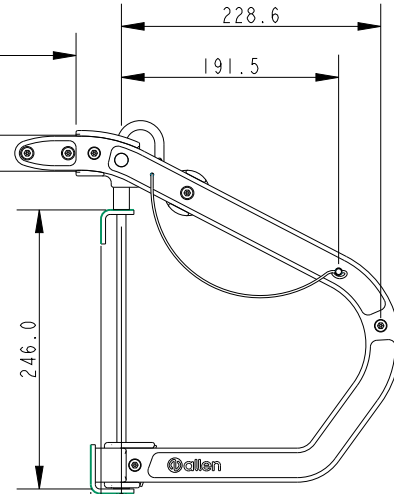


SCALE 1:1

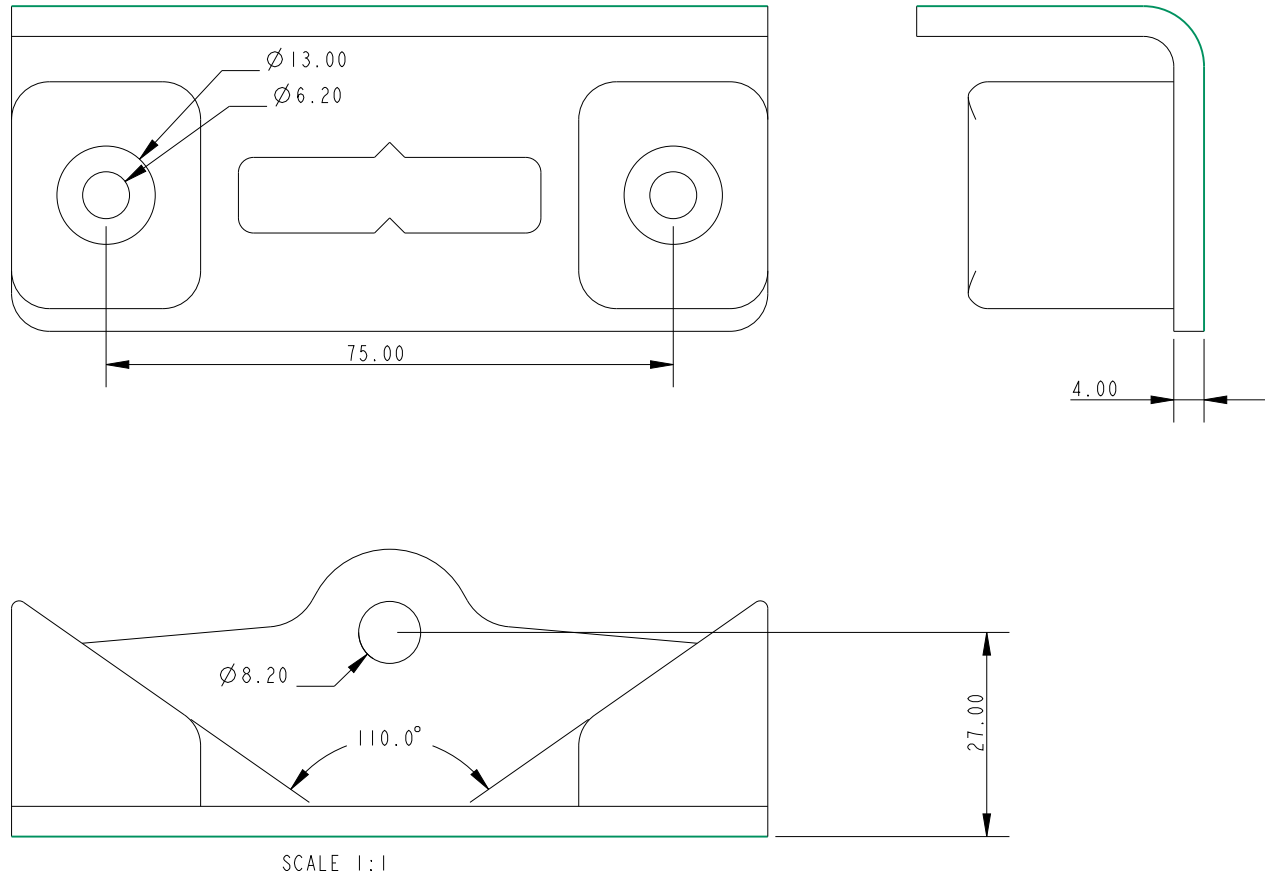


SCALE 3:20

Specification	
Blade Thickness mm	Between Pintles mm
19	246

DIMENSIONS FOR REFERENCE ONLY
 allenbrothers.co.uk
 +44(0)1621 772477

Title	Description
A7420P-REF	Layout



DIMENSIONS FOR REFERENCE ONLY
allenbrothers.co.uk
+44(0)1621 772477

Title	Description
A7420P-REF	Layout