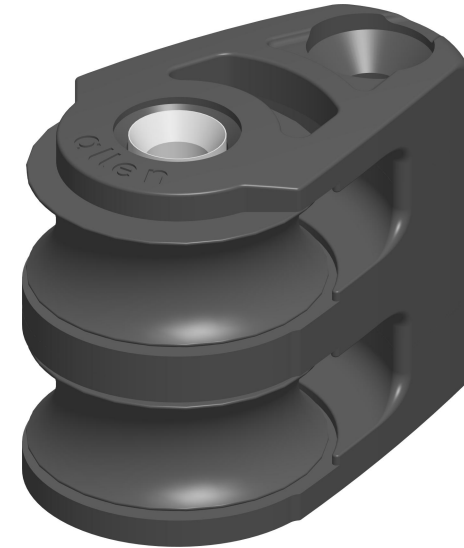
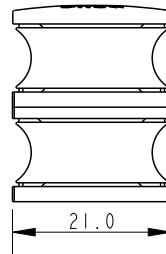
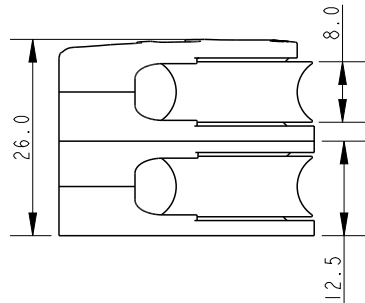


SCALE 1:1



SCALE 2:1

DIMENSIONS FOR REFERENCE ONLY
allenbrothers.co.uk
+44(0)1621 772477

Specification

Length mm	Line Diameter mm	Shackle Pin mm	Breaking Load kg	MWL kg	Weight g	Bearing Detail
33.8	6	-	540	115	23	Stainless Steel

Title	Description
A2126M-REF	Double Composite Cheek