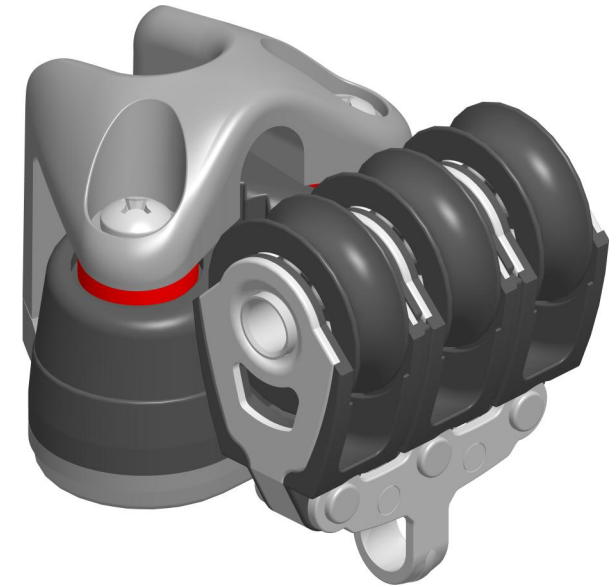
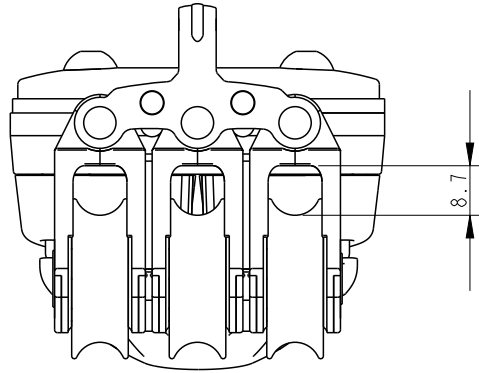
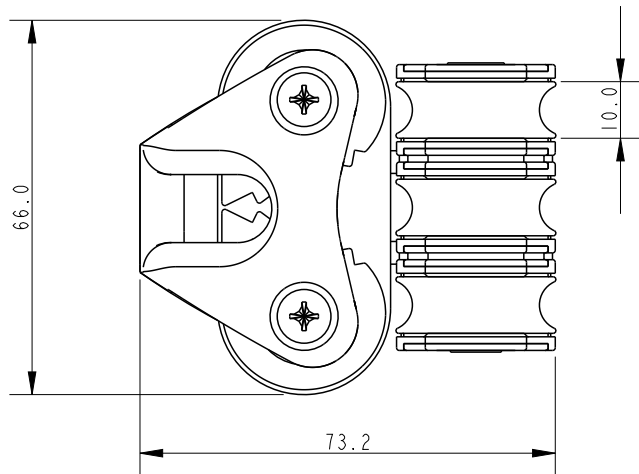


SCALE 3:4



SCALE 1:1



**DIMENSIONS FOR REFERENCE ONLY**  
 allenbrothers.co.uk  
 +44(0)1621 772477

**Specification**

Length mm	Line Diameter mm	Shackle Pin mm	Breaking Load kg	MWL kg	Weight g	Bearing Detail
65	8	-	1750	140	49	Stainless Steel

Title	Description
<b>A2034-676-REF</b>	<b>Triple With Inverted Cleat</b>