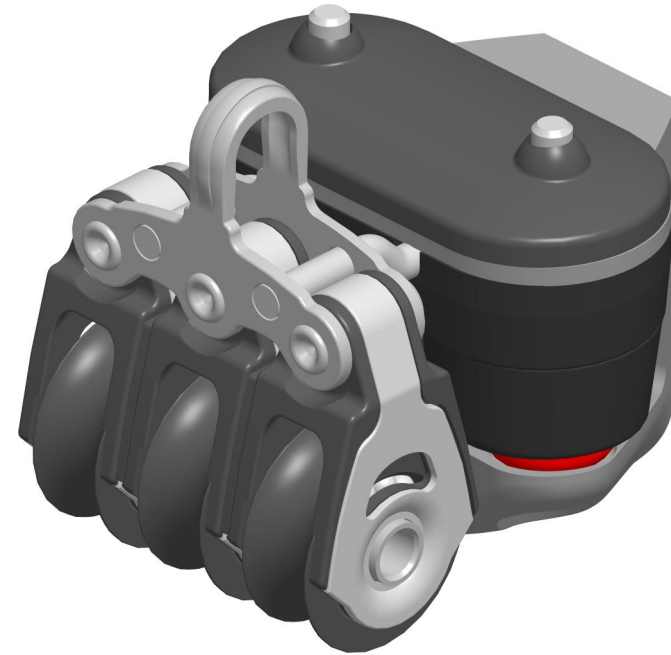
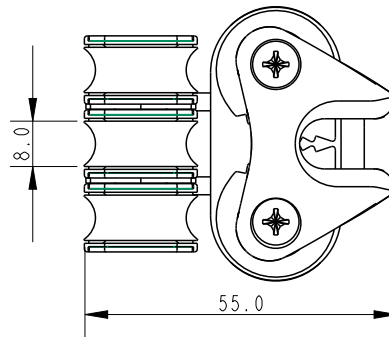


SCALE 3:4



SCALE 3:2

| Specification | | | | | | |
|---------------|------------------|----------------|------------------|--------|----------|-----------------|
| Length mm | Line Diameter mm | Shackle Pin mm | Breaking Load kg | MWL kg | Weight g | Bearing Detail |
| 55 | 6 | - | 650 | 320 | 86.9 | Stainless Steel |

DIMENSIONS FOR REFERENCE ONLY
 allenbrothers.co.uk
 +44(0)1621 772477

| Title | Description |
|----------------------|-----------------------------------|
| A2024-677-REF | Triple With Inverted Cleat |