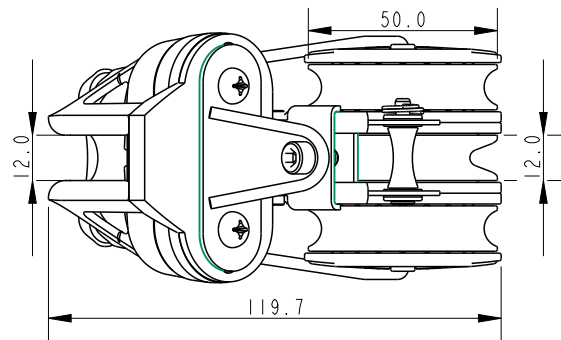


SCALE 3:4



25° of Adjustment,  
with 3 Positions at  
12.5° intervals

**DIMENSIONS FOR REFERENCE ONLY**  
[allenbrothers.co.uk](http://allenbrothers.co.uk)  
 +44(0)1621 772477

**Specification**

Length mm	Line Diameter mm	Shackle Pin mm	Breaking Load kg	MWL kg	Weight g	Bearing Detail
122.4	10	4	950	470	391	Stainless Steel

Title	Description
<b>A2058-REF</b>	Triple With Ratchet And Adjustable Cleat