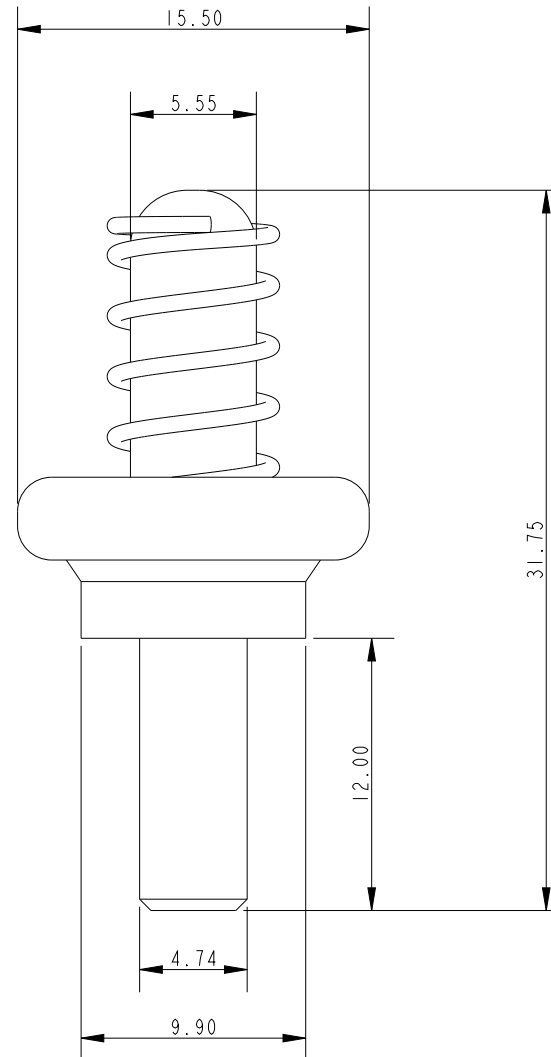


SCALE 3:1



Notes:
Weight 6.5g

DIMENSIONS FOR REFERENCE ONLY
 allenbrothers.co.uk
 +44(0)1621 772477

Title	Description
SA4574-REF	Plunger and Spring