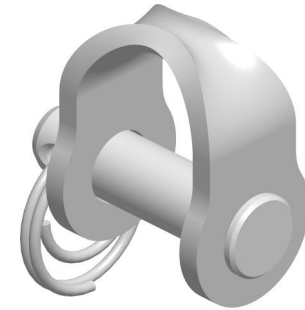
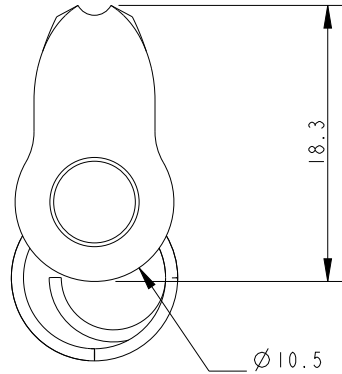


SCALE 2:1



DIMENSIONS FOR REFERENCE ONLY
allenbrothers.co.uk
+44(0)1621 772477

Specification					
L mm	A mm	D mm	Breaking Load kg	Max. Working Load kg	Weight g
9	11	4.9	300	250	6

Title	Description
A4929-REF	Pressed Shackle