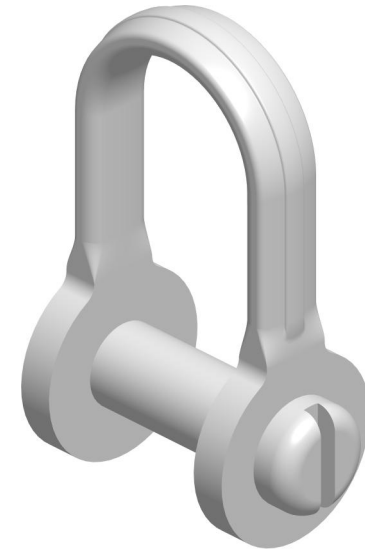
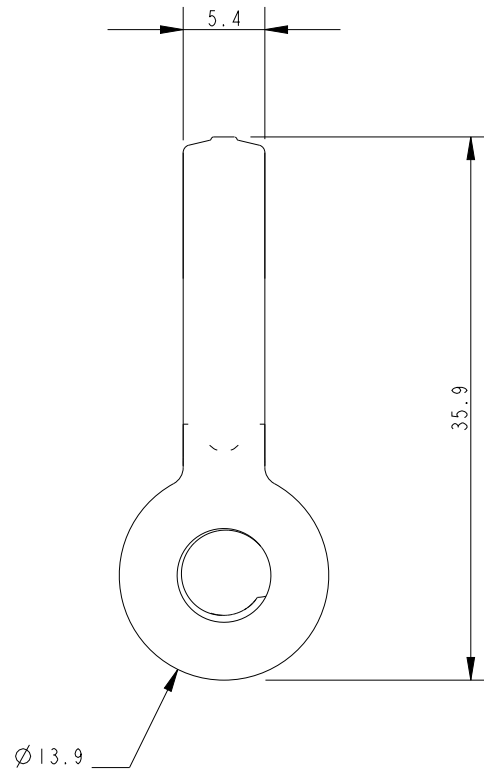


SCALE 2:1



Specification			
L mm	A mm	D mm	Breaking Load kg
24	12	6.2	2500

**DIMENSIONS FOR REFERENCE ONLY**  
 allenbrothers.co.uk  
 +44(0)1621 772477

Title	Description
<b>A5406S-REF</b>	<b>D Shackle Medium</b>