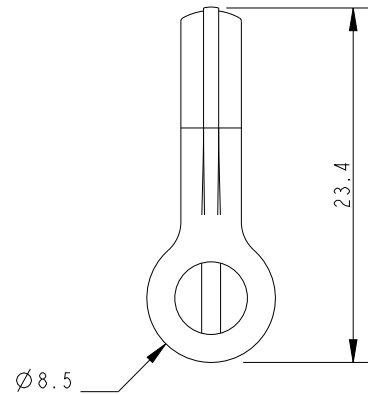


SCALE 2:1



Specification				
L mm	A mm	D mm	Breaking Load kg	Weight g
15	8	4	780	4.4

DIMENSIONS FOR REFERENCE ONLY
 allenbrothers.co.uk
 +44(0)1621 772477

Title	Description
A5404S-REF	D Shackle Extra Small