



Roll-X Flopper Stopper Pole Kits



Features Proprietary Anti-Skate Baffles.

Stop the Rock and Roll on both power and sail boats.

#305301 Roll-X (1) stabilizer 26lbs, 40" X 26" (folds for storage)

The kit comes in 2 sizes:

#305302 for boats up to 40ft using a 3" OD aluminum pole, 11ft long

#305303 for boats up to 55ft using a 3.5" OD aluminum pole, 14ft long

#352005 S/S Topping Lift Mount (optional for most)

Pole Storage Chocks (Optional)

#305317 MPC 300 Flat (3")

#305318 MPC 350 Flat (3.5")

Pole kits include tubing, both ends, hull/rail mount with fast pin.

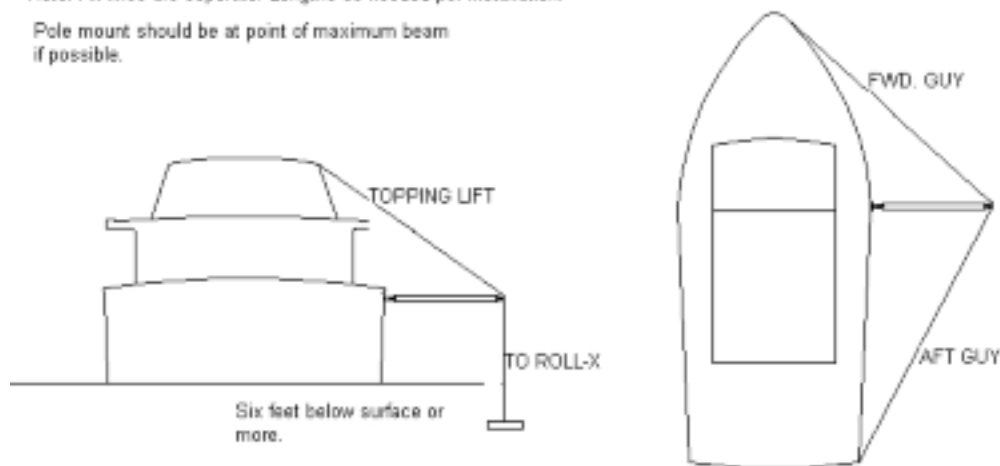
Note: Forespar does not supply the rigging (stays) for this system.

These stoppers are easily removable for storage.

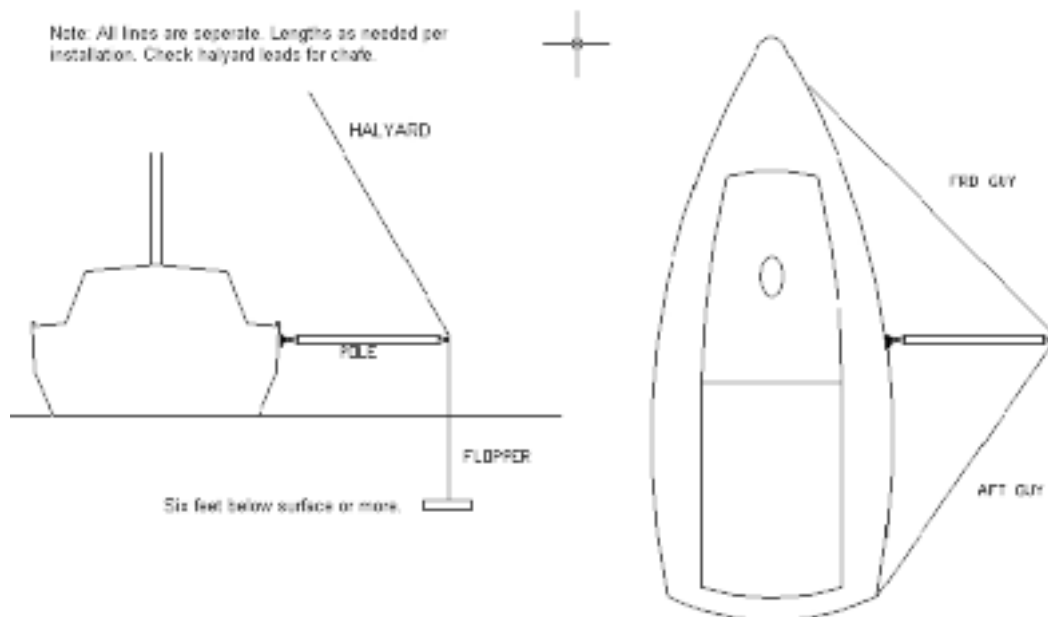
We strongly recommend that this product be professionally installed. For a list of Forespar dealers in your area please go to www.forespar.com

Note: All lines are separate. Lengths as needed per installation.

Pole mount should be at point of maximum beam if possible.



Note: All lines are separate. Lengths as needed per installation. Check halyard leads for chafe.



FORESPAR®

22322 Gilberto ■ Rancho Santa Margarita, CA 92688 USA

Phone: 949-858-8820 ■ Fax: 949-858-0505 ■ sales@forespar.com ■ www.forespar.com