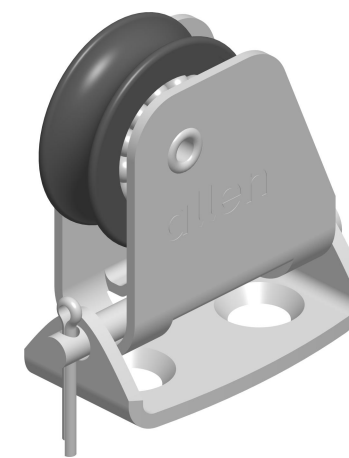


SCALE 1:1



SCALE 3:2

DIMENSIONS FOR REFERENCE ONLY
allenbrothers.co.uk
+44(0)1621 772477

Specification

Length mm	Line Diameter mm	Shackle Pin mm	Breaking Load kg	MWL kg	Weight g	Fixing Hole Centres mm	Bearing Detail
33.4	6	-	350	105	19	16	Stainless Steel

Title	Description
A4968-REF	Flip Flop