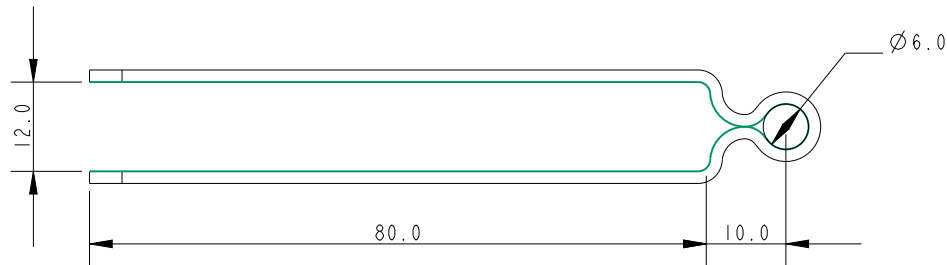
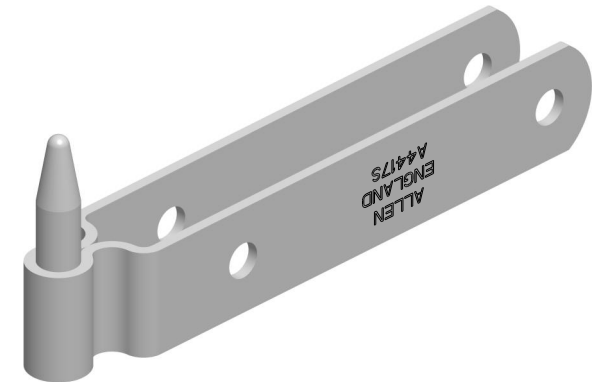


SCALE 1:1



**Specification**

Fixing Hole Diameter mm	Width mm	Hole/Pin Diameter mm	Pin Length mm	Length mm	Distance from stock to pin mm	Weight g
5	12	6	19	80	10	40

**DIMENSIONS FOR REFERENCE ONLY**  
 allenbrothers.co.uk  
 +44(0)1621 772477

Title	Description
<b>A4417S-REF</b>	<b>Optimist Rudder Pintle</b>