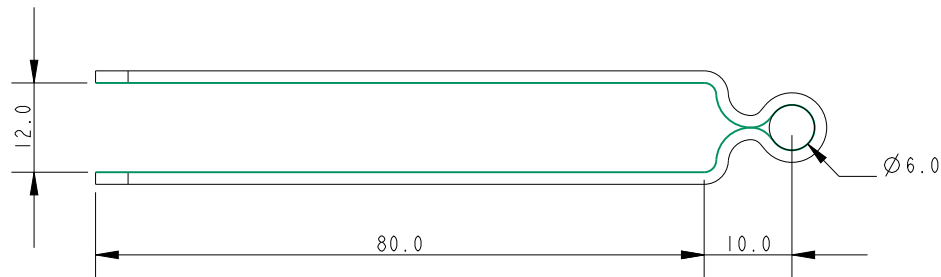
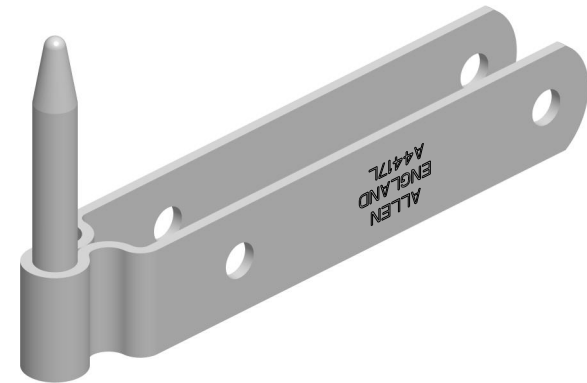


SCALE 1:1



Specification

Fixing Hole Diameter mm	Width mm	Hole/Pin Diameter mm	Pin Length mm	Length mm	Distance from stock to pin mm	Weight g
5	12	6	34	80	10	48

DIMENSIONS FOR REFERENCE ONLY
 allenbrothers.co.uk
 +44(0)1621 772477

Title	Description
A4417L-REF	Optimist Rudder Pintle