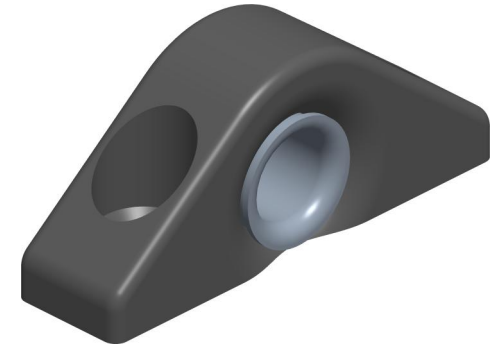
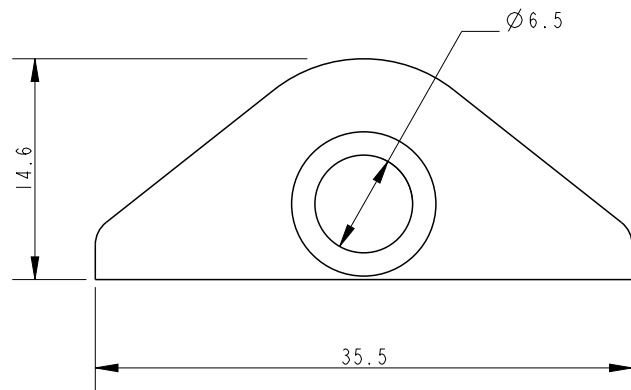


SCALE 2:1



SCALE 2:1

Specification			
Inside Hole mm	Fixing Hole Size mm	Fixing Hole Centres mm	Weight g
6	3	20	4

DIMENSIONS FOR REFERENCE ONLY
allenbrothers.co.uk
+44(0)1621 772477

Title	Description
A4153-REF	Low Profile Fairlead With Stainless Steel Inner