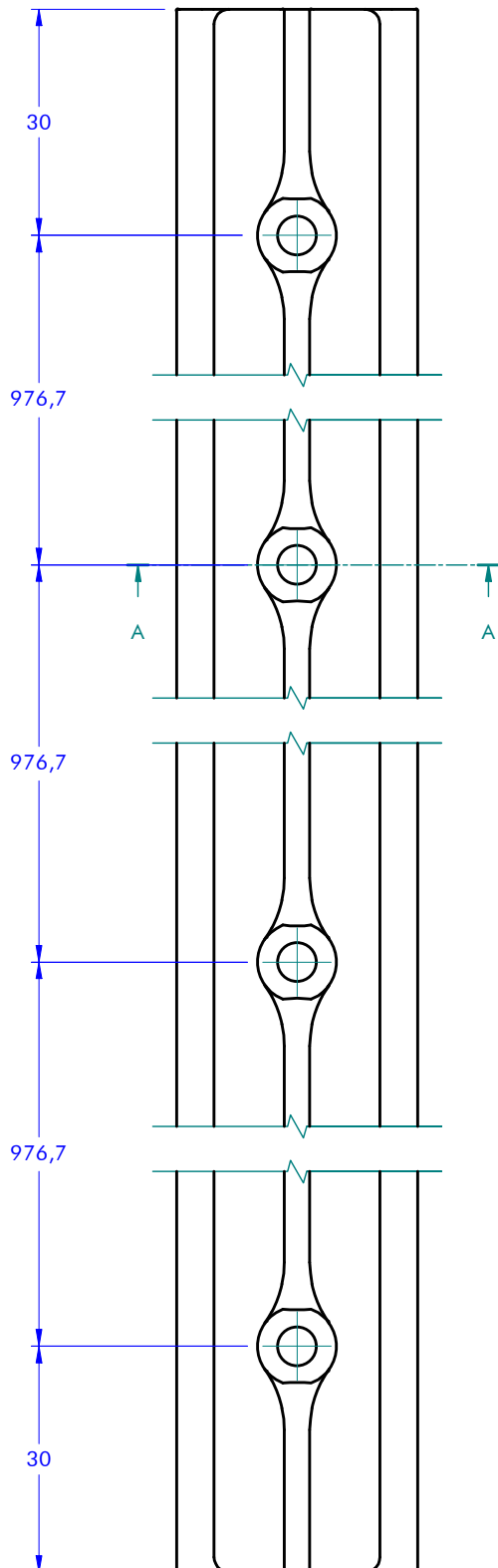
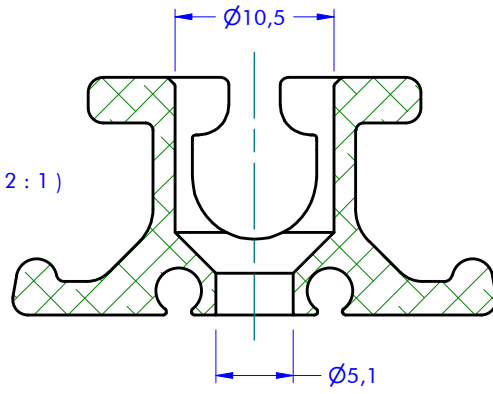


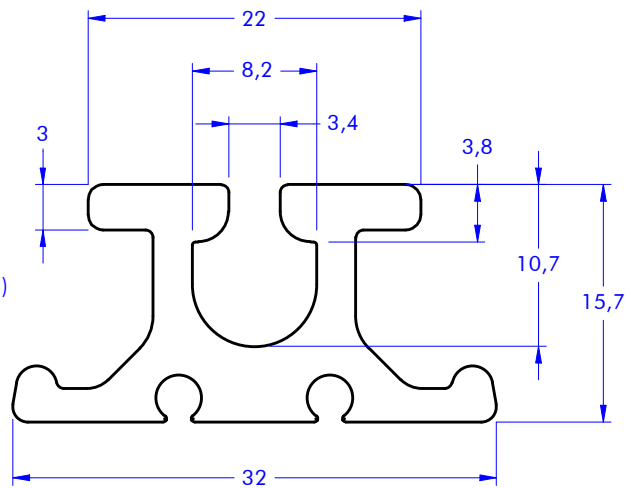
(1:1)



A-A (2:1)



(2:1)



**antal**

HS22 bolt-rope carbon track AL L3000

**HS22.330**

SWL  
DATE 08/07/2021

WEIGHT 1,76  
SCALE ---

www.antal.it - antal@antal.it

This drawing is Antal's exclusive ownership, protected by law. Cannot be reproduced or handed over without preventive written consent.