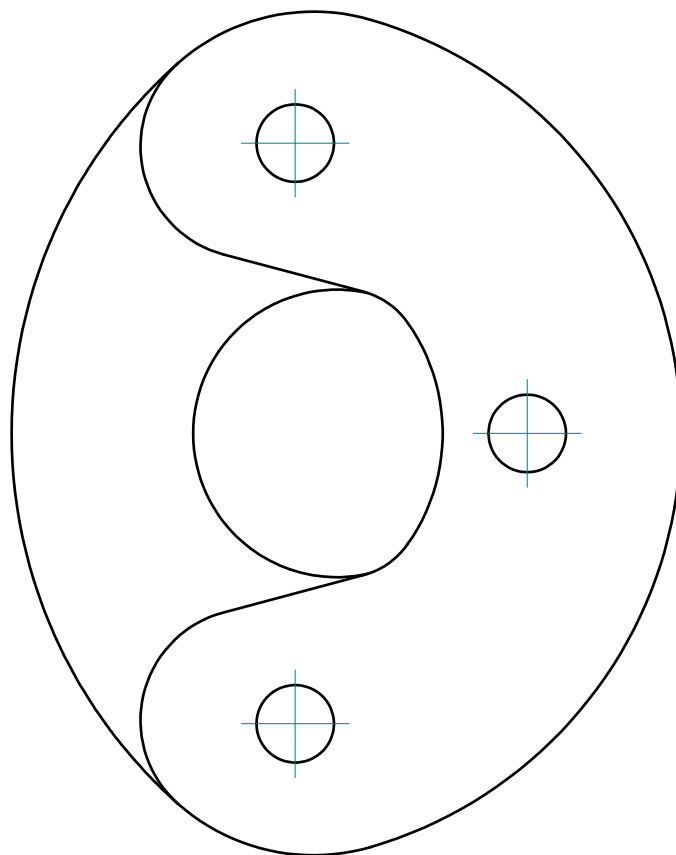
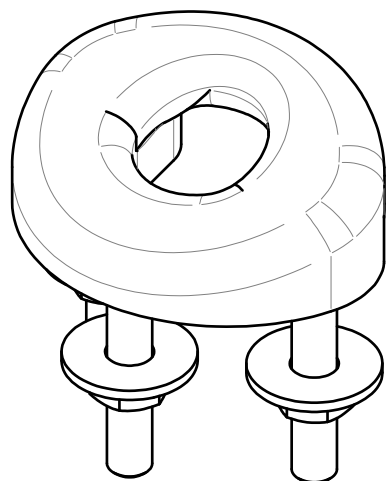


DIMA
(1:1)



antal

CATEGORY	Soft Link	FAMILY	Dyneema pad-eyes	MODEL CODE	7612	SWL	5000 kg	WEIGHT	370 g
ARTICLE	n.d.			DATE	19/05/2020	SCALE	1:2		

www.antal.it - antal@antal.it