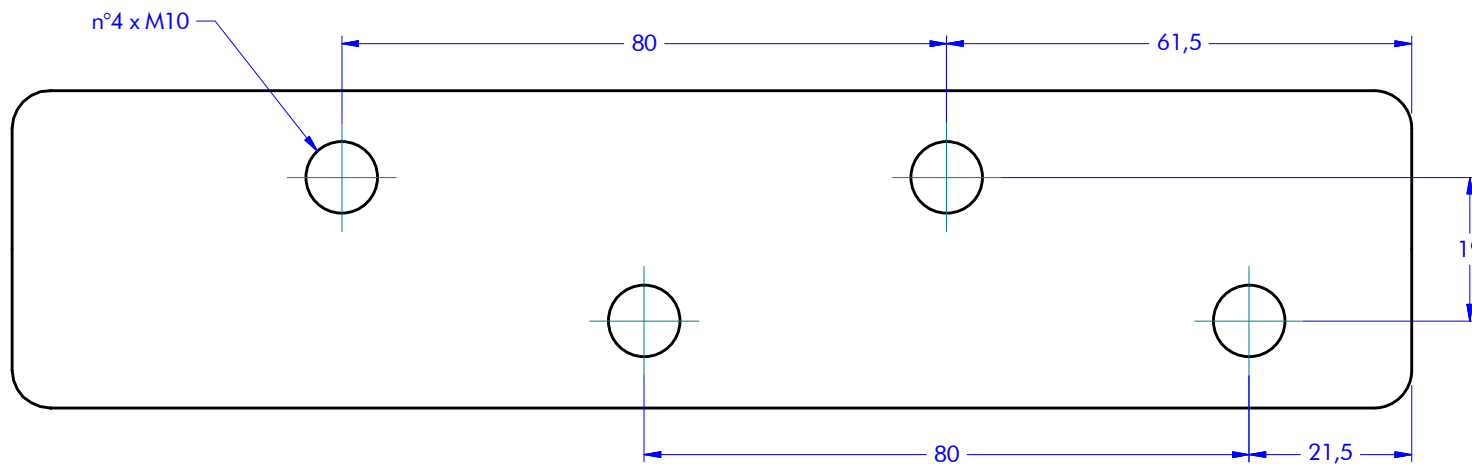



A-A (1:1)



	Clutches	DV Jammer	505.141 <small>MODEL CODE</small>	<small>SWL</small>	1.36 kg
	<small>1</small> CATEGORY	<small>2</small> FAMILY		<small>DATE</small>	<small>WEIGHT</small>
	DV Jammer Standard			10/11/2016	1 : 3
<small>3</small> ARTICLE			<small>SCALE</small>		
www.antal.it - antal@antal.it					