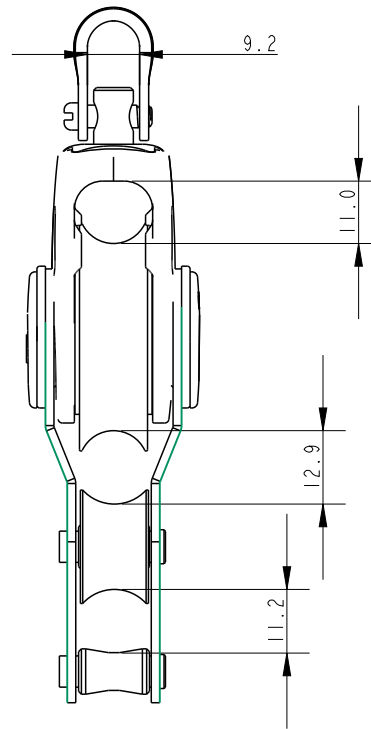
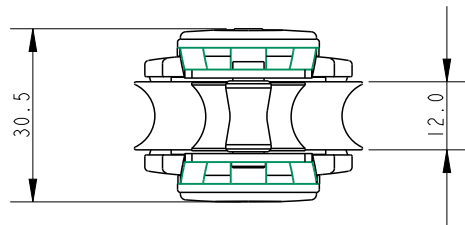


SCALE 3:4



SCALE 3:4



DIMENSIONS FOR REFERENCE ONLY
allenbrothers.co.uk
+44(0)1621 772477

Specification						
Length mm	Line Diameter mm	Shackle Pin mm	Breaking Load kg	MWL kg	Weight g	Bearing Detail
122	10	4	800	180	100	Stainless Steel

Title	Description
A2044-REF	Single With Swivel, 20mm Fiddle Block And Becket