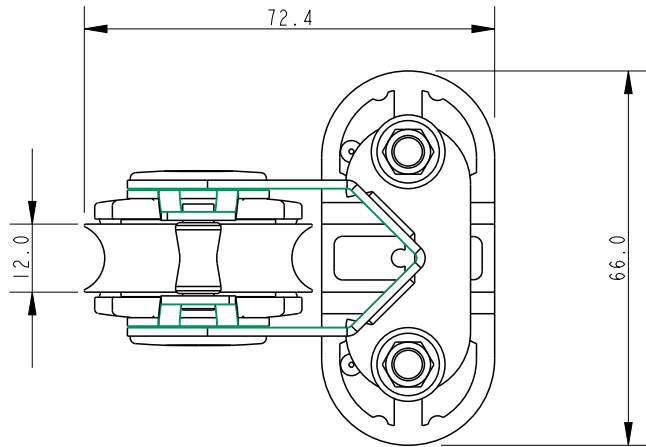


SCALE 3:4

SCALE 3:4



**DIMENSIONS FOR REFERENCE ONLY**  
 allenbrothers.co.uk  
 +44(0)1621 772477

**Specification**

Length mm	Line Diameter mm	Shackle Pin mm	Breaking Load kg	MWL kg	Weight g	Bearing Detail
100	10	4	800	180	157	Stainless Steel

Title	Description
<b>A2043-676-REF</b>	Single With Swivel, Becket And A.676