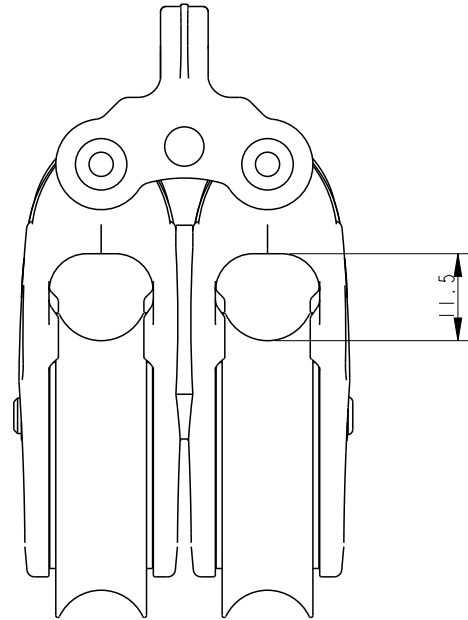
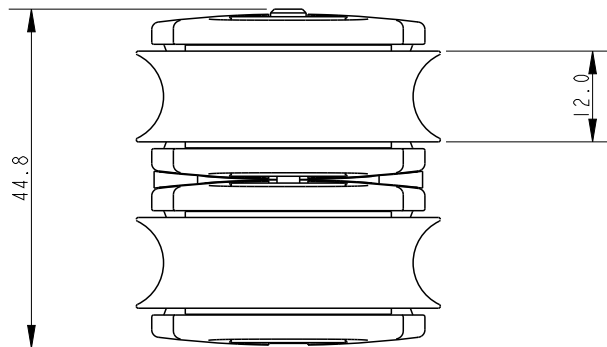


SCALE 1:1



SCALE 1:1



Specification

Length mm	Line Diameter mm	Breaking Load kg	MWL kg	Weight g	Bearing Detail
84	10	1350	320	89	Stainless Steel

DIMENSIONS FOR REFERENCE ONLY
allenbrothers.co.uk
 +44(0)1621 772477

Title	Description
A2042-REF	Double