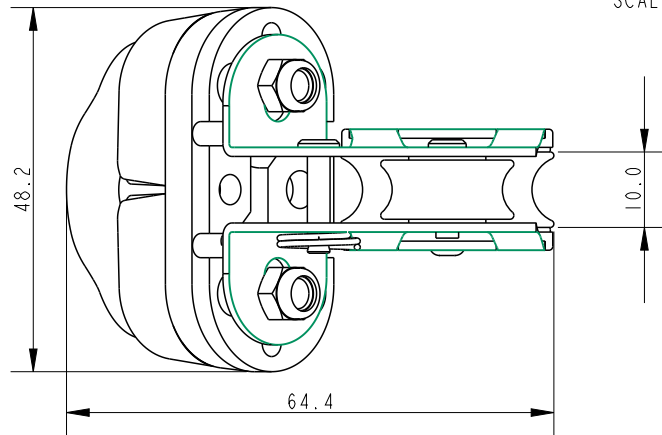


SCALE 1:1

SCALE 1:1



Specification						
Length mm	Line Diameter mm	Shackle Pin mm	Breaking Load kg	MWL kg	Weight g	Bearing Detail
85	8	4	600	140	86.2	Stainless Steel

**DIMENSIONS FOR REFERENCE ONLY**  
[allenbrothers.co.uk](http://allenbrothers.co.uk)  
 +44(0)1621 772477

Title	Description
A2039-CAM-REF	Single With Fiddle And Cleat