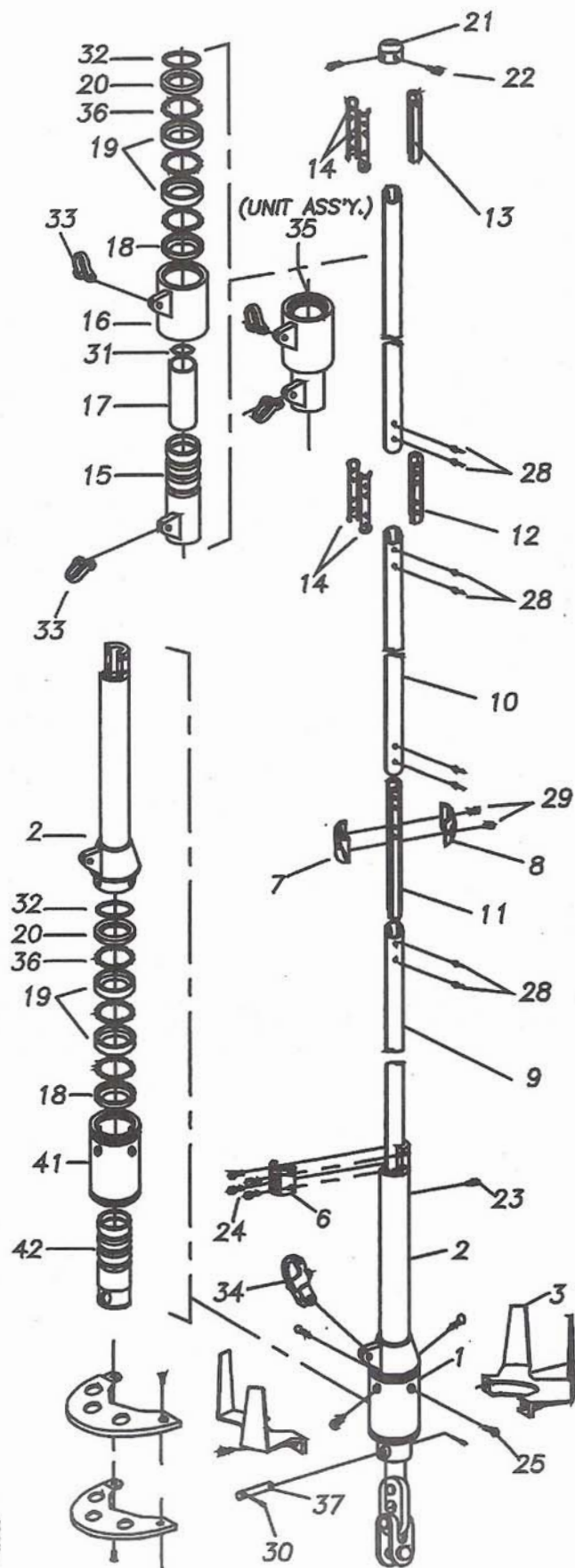


System 3100 Parts List



3100 PARTS LIST			
ITEM	DESCRIPTION	PART #	QTY.
1	DRUM BEARING HOUSING	33-025-A	1
2	TORQUE TUBE	33-027-A	1
3	COLLAR BRACKET PLATE	45-226-A	2
4	TOP PLATE	35-326	2
5	BOTTOM PLATE	35-325	2
6	TORQUE TUBE CLAMP	32-016-01	1
7	SAIL FEEDER FRONT HAU	45-227-M01	1
8	SAIL FEEDER BACK HALF	45-227-M02	1
9	BOTTOM FURL EXTRUSION	14-057-01	1
10	FURL EXTRUSION	14-057-02	8
11	LOWER JOINT	14-067-01	1
12	FURL JOINT	14-067-02	8
13	UPPER JOINT	14-067-03	1
14	JOINT BEARING SLEEVE	25-290	18
15	UPPER SWIVEL INNER BEARING RACE	53-030-A	1
16	UPPER SWIVEL HOUSING	33-026-A	1
17	SWIVEL BEARING TUBE LINER	25-257	1
18	BOTTOM BEARING RACE	3-033	1
19	MIDDLE BEARING RACE	53-032	2
20	TOP REARING RACE	53-031	1
21	TOP CAP	32-015	1
22	SET SCREW	22-060	2
23	STOP PIN SCREW	24-043	1
24	CAP SCREW 1/4-20	24-058	4
25	FLAT HD. SCREW 1/4-20 X 5/8" LG.	22-313	5
26	CAP SCREW 1/4-20	24-058	2
27	FLAT HD. SCREW 10-24 X 3/8" LG.	22-309	2
28	RIVET	30-069	80
29	CAP SCREW	24-055	2
30	COTTER PIN	51-012-18	2
31	RETAINER RING	51-222	1
32	RETAINER RING	51-223	1
33	SHACKLE	93-14	2
34	SNAP SHACKLE	45-30	1
35	UPPER SWIVEL UNIT ASS'Y.	33-026-A1	1
36	BALL BEARINGS (25 PER ROW)	25-253	-
37	CROSS PIN	51-224	1
38	FLAT HD. SCREW 10-24 X 5/16" LG.	22-328	2
39	HALF LENGTH FURL EXTRUSION (42" LG.)	14-057-03	1
40	TOGGLE LINK W/ 5/8" DIA. PIN	46-022	1
-	OR TOGGLE UNK W/ 3/4" DIA. PIN	46-023	1
41	DRUM HOUSING	33-025	1
42	DRUM INNER RACE	53-029	1



Note
System 3100 parts listing includes all new part numbers as of 5/97. Please contact Schaefer for furlers manufactured prior to this date.

