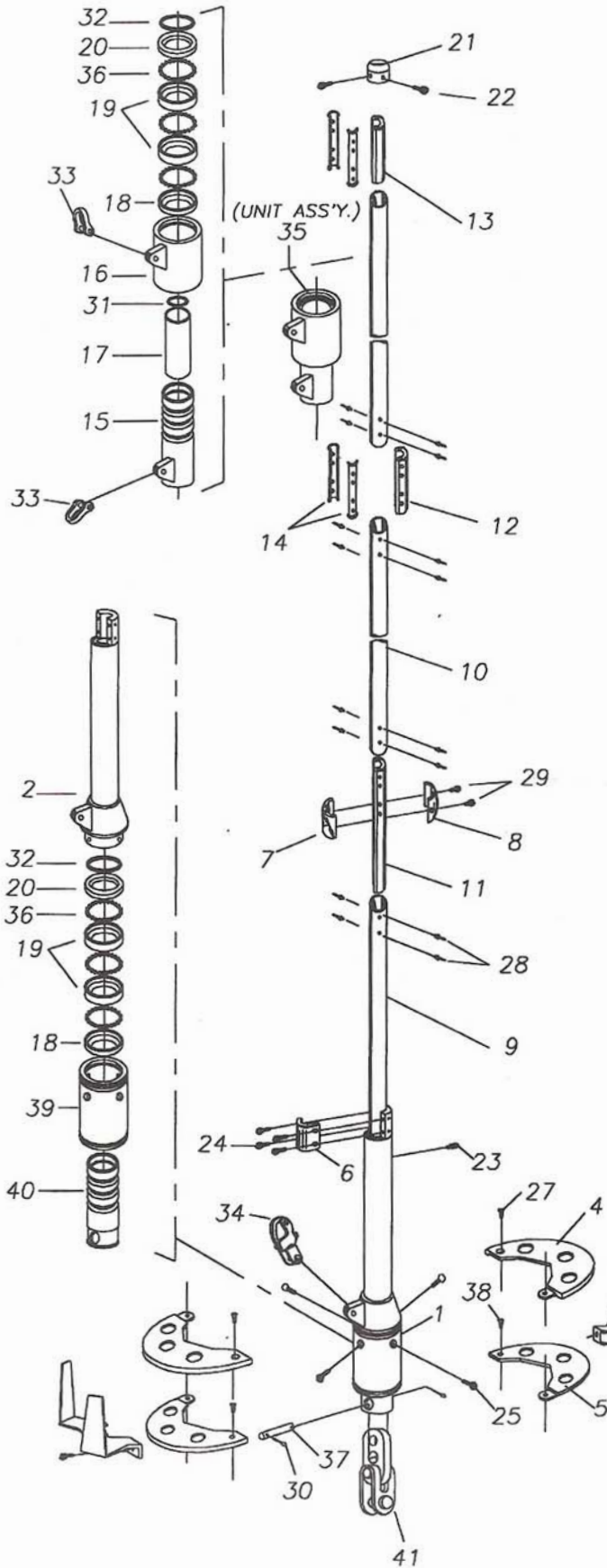


# System 2100 Parts List

2100 PARTS LIST

ITEM	DESCRIPTION	PART #	QTY.
1	DRUM BEARING HOUSING	33-040-A	1
2	TORQUE TUBE	33-039-A1	1
3	COLLAR BRACKET PLATE	45-236	2
4	TOP PLATE	35-322	2
5	BOTTOM PLATE	35-321	2
6	TORQUE TUBE CLAMP	32-024-01	1
7	SAIL FEEDER FRONT HALF	45-235-01	1
8	SAIL FEEDER BACK HALF	45-235-02	1
9	BOTTOM FURL EXTRUSION	14-054-01	1
10	STANDARD FURL EXTRUSION - 72" LONG	14-054-02	7
11	LOWER JOINT	14-061-01	1
12	STANDARD JOINT	14-061-02	7
13	UPPER JOINT	14-061-03	1
14	JOINT LINER - 3/8" ( 10MM ) WIRE	25-289	16
15	UPPER SWIVEL INNER BEARING RACE	53-078-A	1
16	UPPER SWIVEL HOUSING	33-041-A	1
17	SWIVEL BEARING LINER	25-276	1
18	BOTTOM BEARING RACE	53-069	2
19	MIDDLE BEARING RACE	53-068	4
20	TOP BEARING RACE	53-067	2
21	TOP CAP	32-023	1
22	SET SCREW	22-060	2
23	STOP PIN SCREW	24-045	1
24	CAP SCREW 10-24 X 5/8" LG.	24-057	4
25	FLAT HD. SCREW 1/4-20 X 5/8" LG.	22-313	4
26	CAP HD. SCREW 1/4-20	24-058	2
27	FLAT HD. SCREW 10-24	22-309	2
28	RIVET	30-067	70
29	CAP HD. SCREW 10-32	24-055	2
30	COITER PIN	51-012-18	2
31	RETAINER RING	51-222	1
32	RETAINER RING	51-235	1
33	SHACKLE	93-11	2
34	SNAP SHACKLE	45-25	1
35	UPPER SWIVEL UNIT ASS'Y.	33-041-A1	1
36	BALL BEARINGS ( 21 PER ROW )	25-253	-
37	CROSS PIN	51-250	1
38	FLAT HD. SCREW 10-24 X 5/16" LG.	22-328	2
39	DRUM HOUSING	33-040	1
40	DRUM INNER RACE	53-066	1
41	TOGGLE LINK W/ 1/2" DIA PIN	46-016	1
-	OR TOGGLE LINK W/ 5/8" PIN	46-018	-
42	HALF LENGTH FURL EXTRUSION	14-054-03	1



**Note**  
System 2100 parts listing includes all new part numbers as of 5/97. Please contact Schaefer for furlers manufactured prior to this date.

